



**SILVERBACK
AIRSOFT**

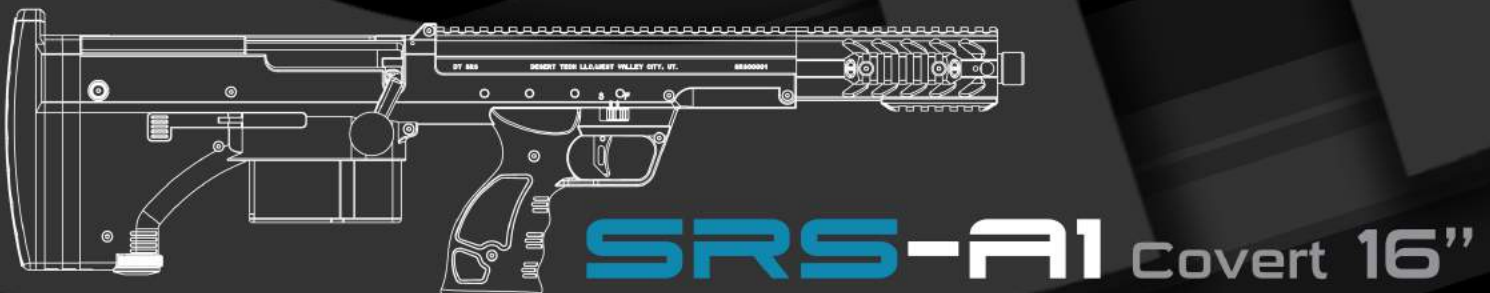
SRS-A1

Pull bolt / Push bolt

Right handed / Left handed

user manual

model 2018



DESERT TECH - DT



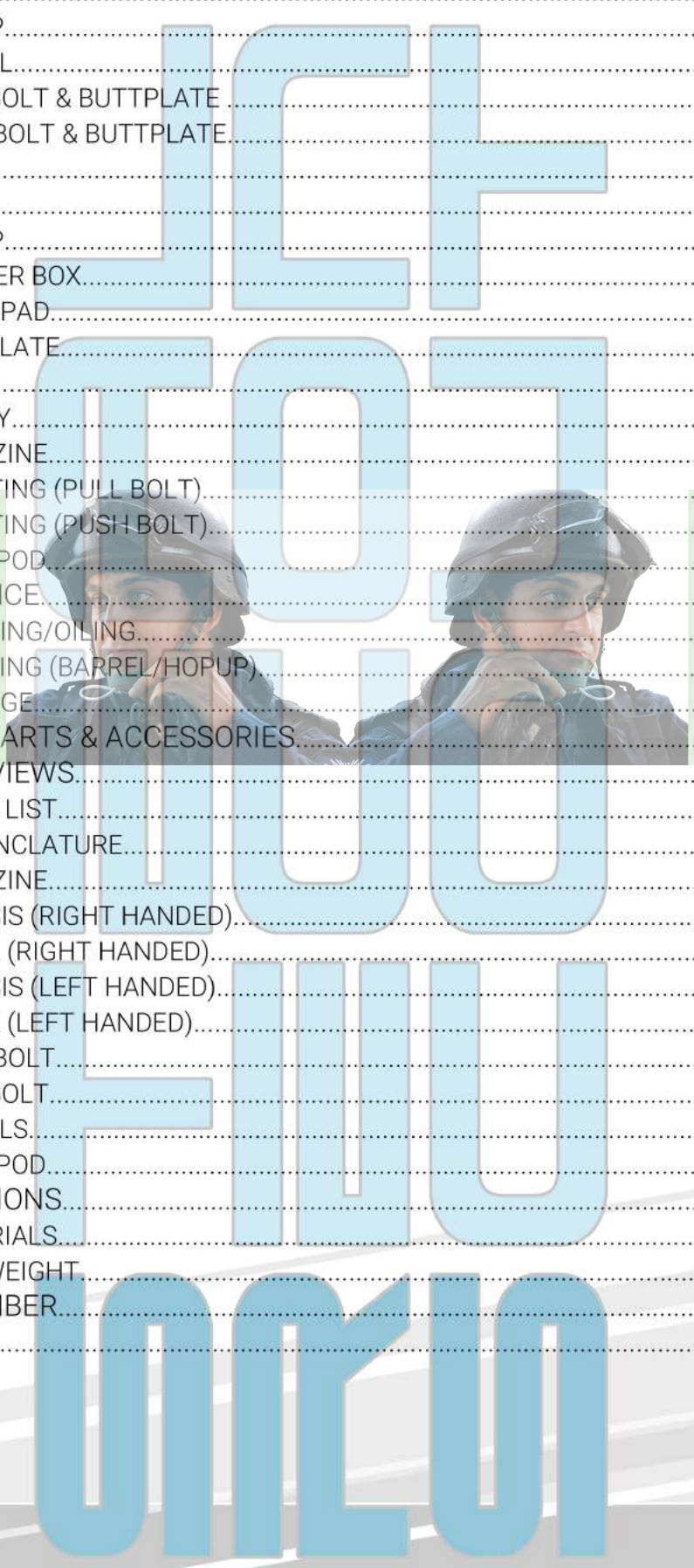
UNIVERSO SIMPER
AIRSOFT

UNIVERSO SIMPER
AIRSOFT



TABLE OF CONTENT

SAFETY.....	4
WARNINGS.....	4
DT & SRS PRESENTATION.....	5
BOX CONTENT.....	6
GUN DESCRIPTION.....	6
ASSEMBLY.....	7
HOPUP.....	7
BARREL.....	7
PULL BOLT & BUTTPLATE.....	8
PUSH BOLT & BUTTPLATE.....	9
RAILS.....	10
SETTINGS.....	11
HOPUP.....	11
TRIGGER BOX.....	12
CHEEKPAD.....	12
BUTTPLATE.....	12
OPERATION.....	13
SAFETY.....	13
MAGAZINE.....	13
SHOOTING (PULL BOLT).....	14
SHOOTING (PUSH BOLT).....	15
MONOPOD.....	16
MAINTENANCE.....	16
GREASING/OILING.....	16
CLEANING (BARREL/HOPUP).....	16
STORAGE.....	16
OPTIONAL PARTS & ACCESSORIES.....	17
EXPLODED VIEWS.....	23
PARTS LIST.....	23
NOMENCLATURE.....	24
MAGAZINE.....	24
CHASSIS (RIGHT HANDED).....	25
STOCK (RIGHT HANDED).....	25
CHASSIS (LEFT HANDED).....	26
STOCK (LEFT HANDED).....	26
PUSH BOLT.....	27
PULL BOLT.....	27
BARRELS.....	28
MONOPOD.....	28
SPECIFICATIONS.....	29
MATERIALS.....	29
SIZE/WEIGHT.....	29
SERIAL NUMBER.....	30
NOTES.....	30



SAFETY

READ THIS MANUAL CAREFULLY AND TOTALLY BEFORE USE, users should obey to laws regarding usage and ownership of airsoft guns in their country. Misuse or careless use may cause serious injury. Always treat airsoft gun as if it is loaded and with the same respect as you would treat a firearms. Don't look into the airsoft gun muzzle. Never point the airsoft gun at something you don't intend to shoot. Users should always wear safety glasses. Always carry this airsoft gun in a bag or a case and never display it in public places. Always keep the airsoft gun on "safe" position until ready to shoot in a safe direction. Always check that the airsoft gun is on "safe" position and unloaded when getting it from another person or from storage. Don't put the airsoft gun away or in storage while loaded. Don't shoot at hard surfaces or at a water surface as bbs could bounce or ricochet and hit someone or something you were not intending to hit. Always use high quality 6mm plastic bbs and never use already shot bbs, it might damage your airsoft gun. Always store this airsoft gun in a secure position, out of reach of children. Don't modify or alter your airsoft gun, attempt to modify the airsoft gun may make you airsoft gun unsafe to use and/or cause serious injury and/or void the warranty. **WE'RE NOT RESPONSIBLE FOR ANY MALFUNCTION, ACCIDENTS, INJURIES OR REPAIR COST RESULTING FROM MISUSE, DISASSEMBLY AND/OR MODIFICATION OF THIS AIRSOFT GUN.**



WARNINGS

- Take care of the feeding tube during barrel change to avoid to damage it.
- Do not untight too much the 4 barrel screw while changing the barrel, or you will damage the right stock panel.
- Do not overtight hopup screws or you will damage hopup rubber.
- In case of complete inner barrel disassembly, do not overtight lateral screws or you will damage the inner barrel.
- Do not prime the bolt while the safety is engaged or you will damage the trigger rod.
- For pull bolt, do not pull the trigger while the bolt is not not lock or you will damage the receiver.
- For push bolt, do not lift the bolt handle while the gun is prime or you will damage the buttplate.
- Using the trigger preload at maximum will generate safety problems and probably slam-fire problems.
- Do not overload the magazine or you will damage magazine spring.
- Do not blank fire without barrel assembly or you will damage the receiver.
- Do not fire if barrel is not properly secure. We recommend 8 Nm torque on the 4 M6X16 screws.
- For storage, keep steel parts greasy to avoid rust.
- Do not use the gun without greasing the outside of the bolt (except the nozzle).
- Do not apply any grease/oil inside the hopup and/or the barrel.
- For push bolt, do not try to remove the buttplate if the bolt is in rear position.
- If you're using long knurled hopup screws, you have to remove them before to remove the barrel.
- Keep the bolt closed during barrel changes to ensure perfect bolt/barrel alignment.
- Be sure no bbs are remaining in the hopup and feeding tube before removing a barrel.



DESERTTECH®

◀ TOMORROWS WEAPONS ▶

Desert Tech, formerly Desert Tactical Arms, has been building a better rifle since 2007 when we realized the demands of future battlefields exceeded the capabilities of current platforms. We decided then to build our rifles more accurate, more compact, more convertible for an increasingly complex world.

Our R&D department is tasked daily to fuse ground-breaking engineering with American ingenuity so that skilled machinists on state-of-the-art mills and lathes can shape battle-tested materials into Tomorrow's Weapons. Each Desert Tech rifle that enters our network of nationwide dealers and international distributors is both ergonomically and ballistically superior to any other production rifle on the planet.

Desert Tech also offers select, premium, match-grade munitions as well as world-class precision instruction across the 25,000 acres of natural terrain and sophisticated training bays at our private facility. These features compliment a complete package of detail-driven customer service for the modern-day warrior, hunter or competition shooter who demands peak performance with each and every trigger press of a Desert Tech SRS, Covert, HTI or MDR.

From concept to recoil, we are creating uncommon and uncompromising firearms with the sole intent of arming serious shooters to the very edge of their abilities and beyond. At Desert Tech, we're building Tomorrow's Weapons and it begins with a better rifle today.

The Stealth Recon Scout A1 (SRS-A1) is the most versatile Sniper Rifle system in the world. It is nearly a foot shorter than conventional sniper rifles, maintains 1/2 MOA or better accuracy with DTM Ammunition, and can be easily adapted to individual mission requirements by changing the weapon's caliber and length. Whether a police sniper is shooting 50 yards or a military sniper is shooting a mile the SRS offers unrivaled flexibility in a package shorter than the M16 battle rifle.

Accuracy

The SRS achieves superb accuracy in all calibers because it's built around core accuracy components:

1. Match grade (free-floated) barrels, chambers, and crowns
2. High quality match trigger
3. Solid, repeating return-to-zero barrel mounting system (the receiver securely clamps around the first six inches of barrel)

Quick Caliber Conversion

The SRS is quickly convertible between the following calibers: .308 Winchester (22" and 26" barrels), .260 Remington, 6.5x47 Lapua, 7mm Winchester Short Mag, .300 Winchester Magnum, .338 Norma Magnum, and .338 Lapua Magnum. The caliber conversion and return to zero is simple and takes less than 60 seconds.

Benefits:

1. Operators can change rifle length, penetration, and distance capabilities.
2. Snipers can shoot various ammo calibers and types depending on METT-T.
3. Snipers can progressively train on more powerful ammo.
4. Reduced training costs (train and practice with .308 WIN)
5. Reduced system down-times (the operator can change his own barrels).

Compact

The SRS is the shortest purpose-built sniper rifle in the world. The telescoping bolt and bullpup configuration make it almost a foot shorter than conventional Mauser-style turnbolt sniper rifles. The compact design shifts weight and center-of-gravity rearward, creating a perfectly balanced and relatively short sniper rifle.

Rugged

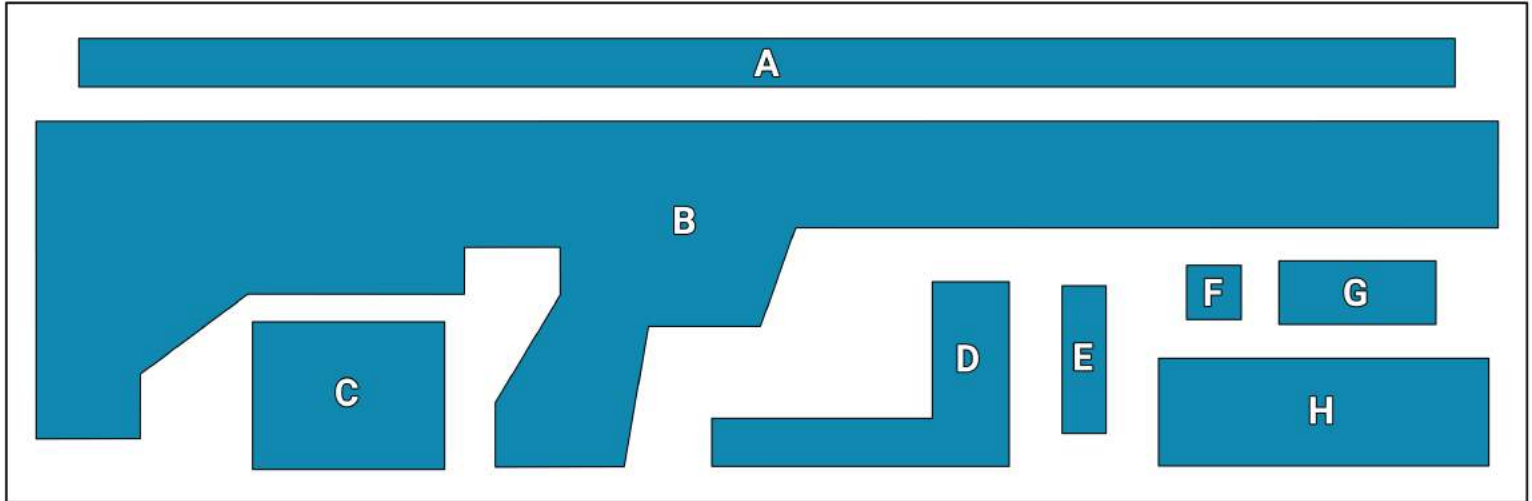
The SRS was designed to operate under the harshest conditions and abuse. It is built of high-impact polymers; aircraft grade aluminum (ANSI 7075-T6); ultra high-strength steels; and some of the most durable coatings known to man. The monolithic receiver serves as a full length mounting chassis, eliminating the need for any sort of receiver-to-stock bedding interface. Ergonomic stock panels attach directly to the receiver.

The SRS maintains its accuracy and reliability in virtually any environment, including subzero arctic temperatures, extreme desert heat and dust, and wet jungle environments.

Nicholas E Young

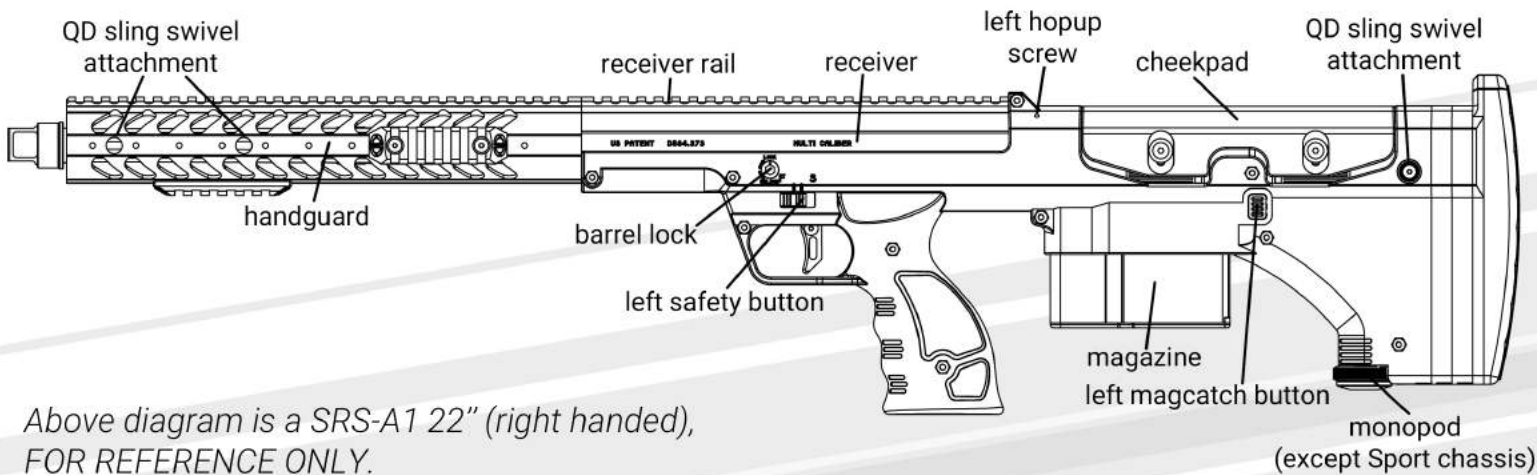
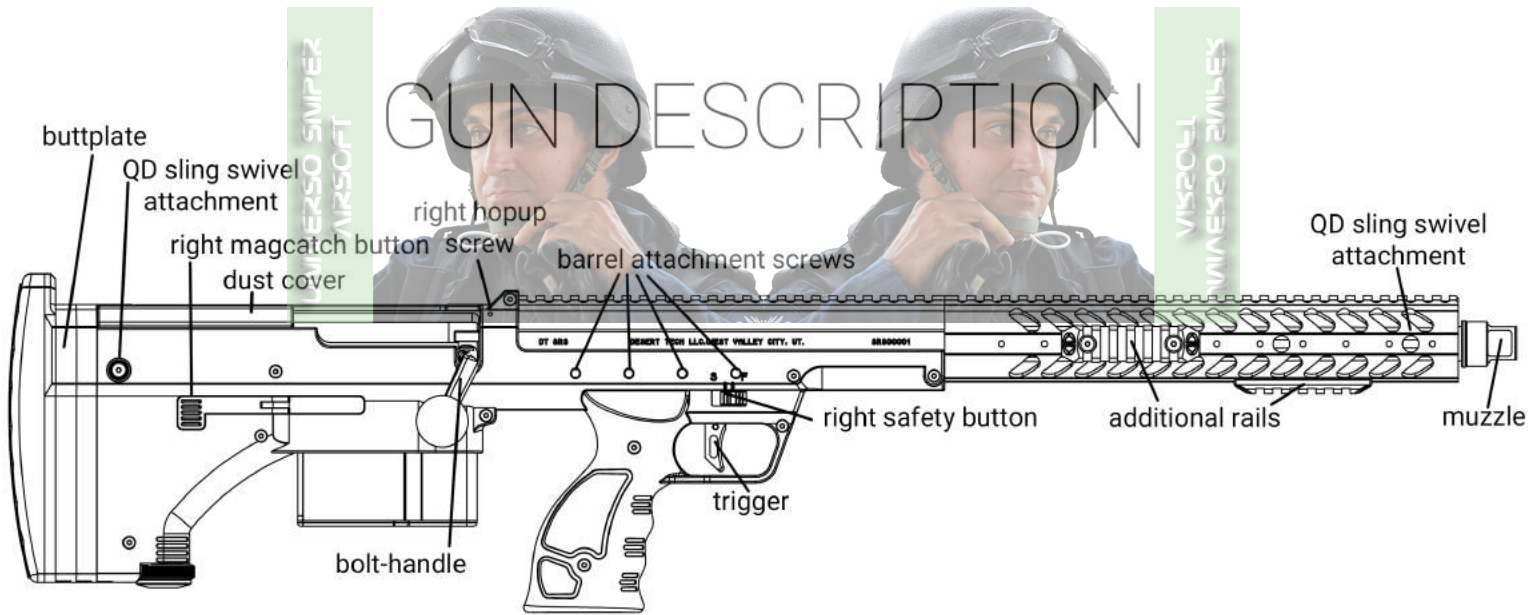


BOX CONTENT



	A	B	C	D	E	F	G	H
SRS-A1 16" Covert	16" barrel	SRS-A1 Covert chassis	magazine	bolt	3 rails	grease	tools set, rail screws, hopup screws (short & long), hopup orings, bolt damper oring, flexible follower	buttplate
SRS-A1 20" Sport	/	SRS-A1 Sport chassis w/ 20" barrel			1 rail			
SRS-A1 22"	22" barrel	SRS-A1 chassis			3 rails			
SRS-A1 26"	26" barrel							

GUN DESCRIPTION

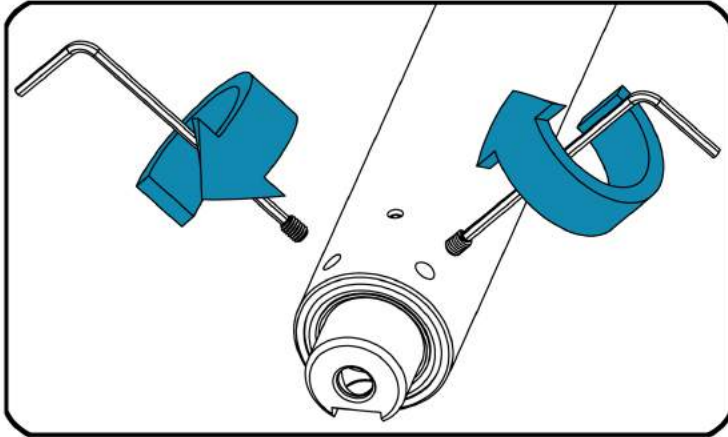


Above diagram is a SRS-A1 22" (right handed),
FOR REFERENCE ONLY.

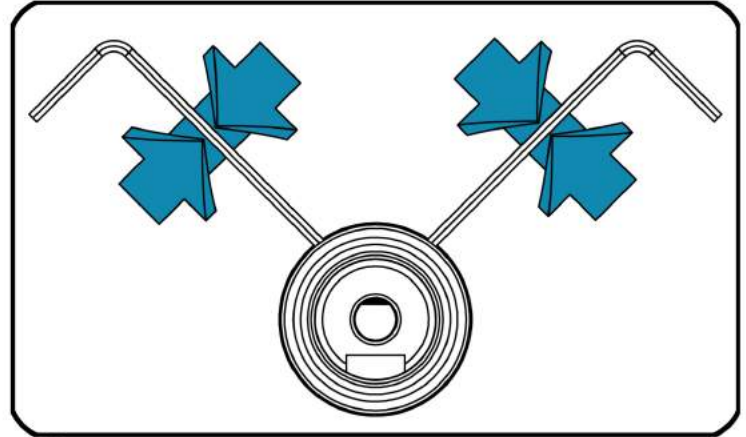
(except Sport chassis)

ASSEMBLY

HOPUP (SRS Sport hopup is pre-install)



- 1 Install the two hopup screws (M3x4) from the screw set bag. ⚠️ If you're using long knurled hopup screws, you have to assembly the barrel inside the gun before to assembly hopup screws

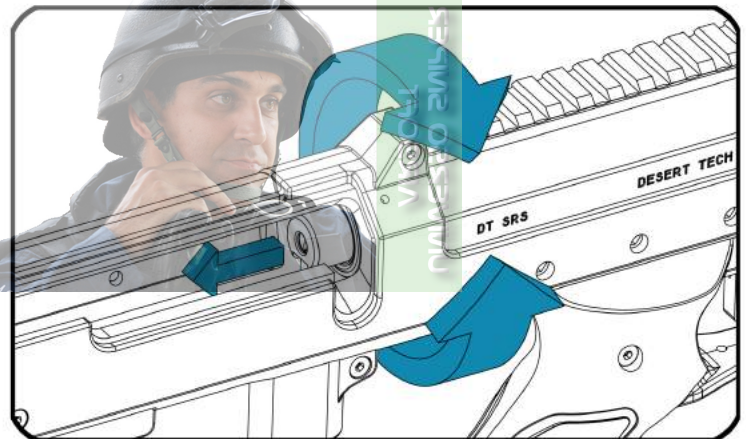


- 2 Finely tune the hop up setting (flat hop up rubber as shown here). ⚠️ If hopup action is too strong, jamming could occur, and even stronger adjustment will damage the hopup rubber.

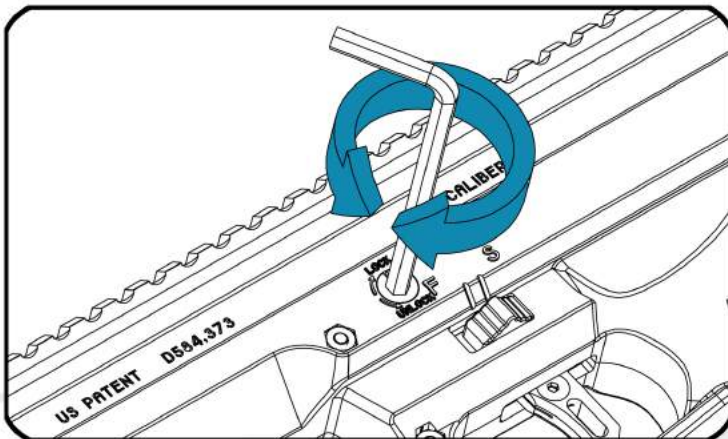
BARREL (SRS Sport barrel is pre-install)



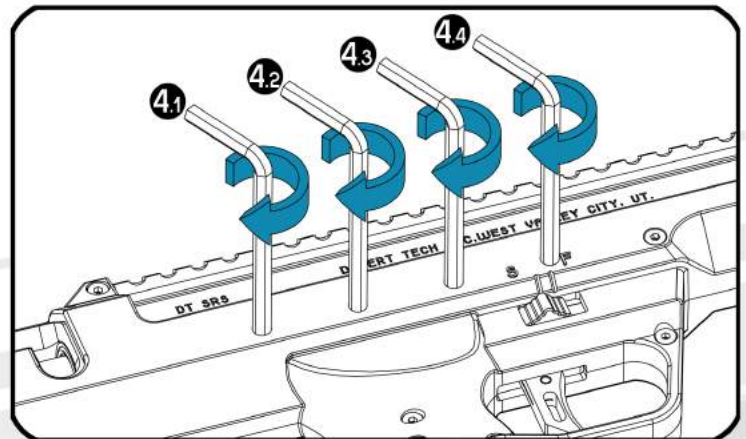
- 1 Gently insert the barrel inside the receiver.
⚠️ Make sure that the barrel lock is on «UNLOCK» position.
⚠️ To ensure perfect fitting with the bolt, it's better to proceed with the bolt head engaged and closed.



- 2 Rotate and slide the barrel until the hopup fits onto the BB-tube.
⚠️ DO NOT APPLY EXCESSIVE FORCE ON THE BB-TUBE.

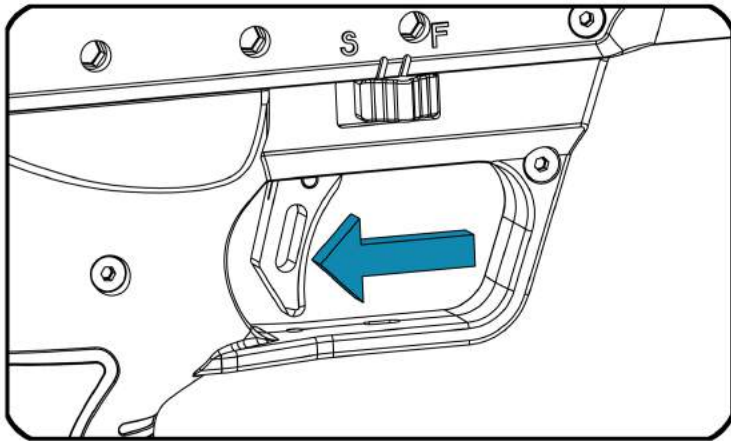


- 3 Set the barrel lock to «LOCK» position.



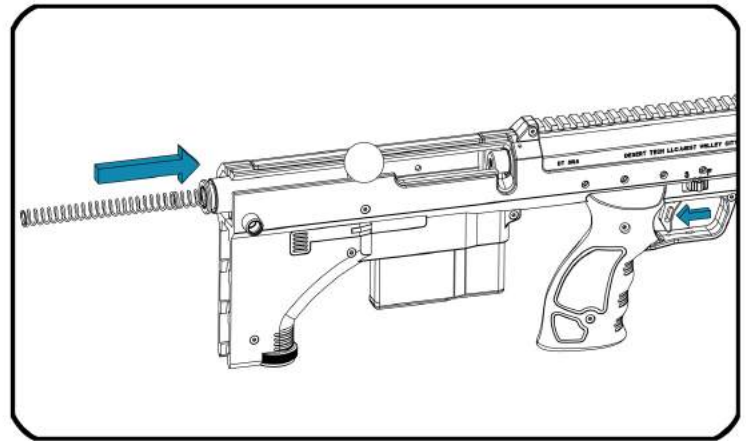
- 4 Secure the barrel by tightening the 4 barrel screws, from bolt to muzzle side (and reverse order for removal).
⚠️ Recommended torque: 8 Nm.

PULL BOLT & BUTTPLATE

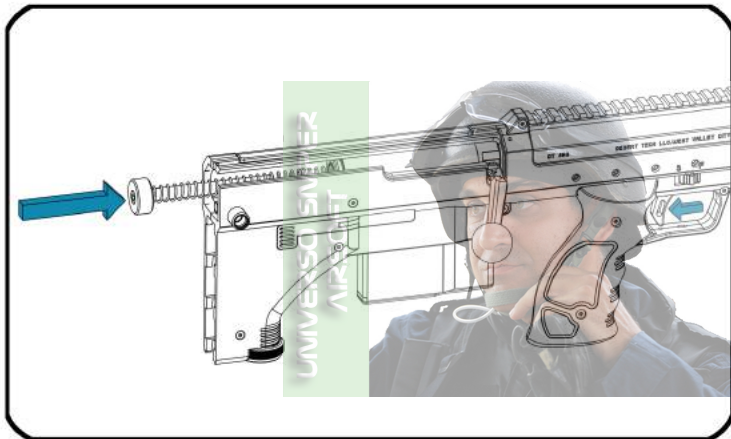


1 Pull the trigger.

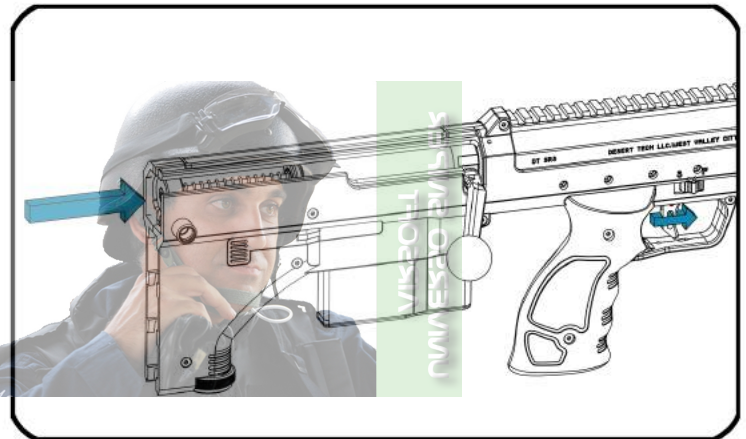
! Make sure that safety is off before pulling the trigger.



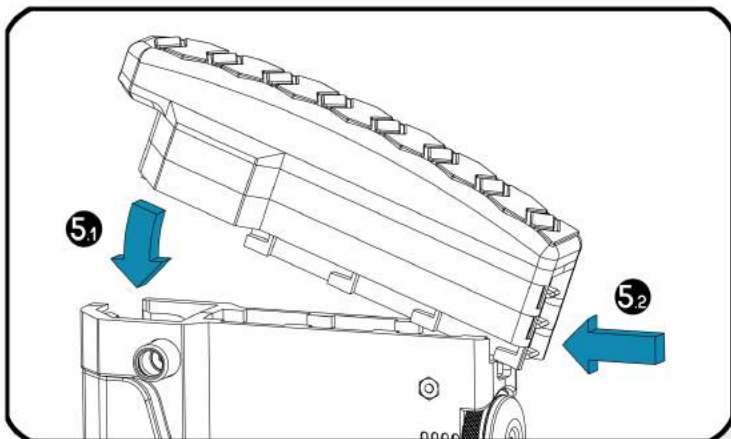
2 While the trigger is pulled back, slide the bolt head, the cylinder assembly, the piston & spring inside the receiver.



3 While the trigger is still pulled back, insert the spring guide inside the spring, then push it into the receiver.

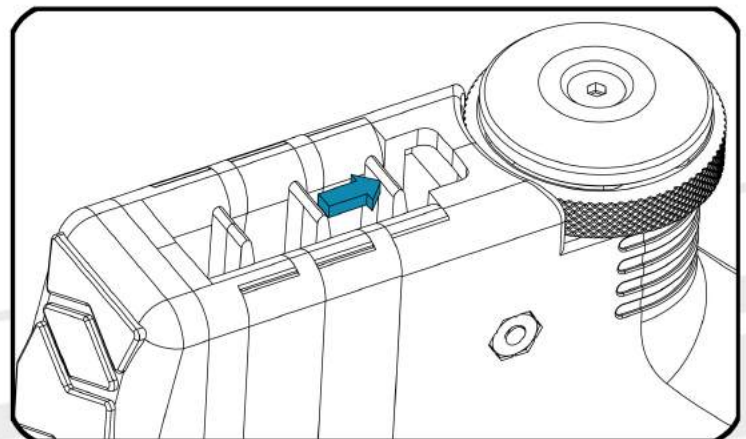


4 After pushing the spring guide inside the receiver, release the trigger and push it forward. Keep forward pressure on the trigger in order to lock the spring guide inside the receiver.

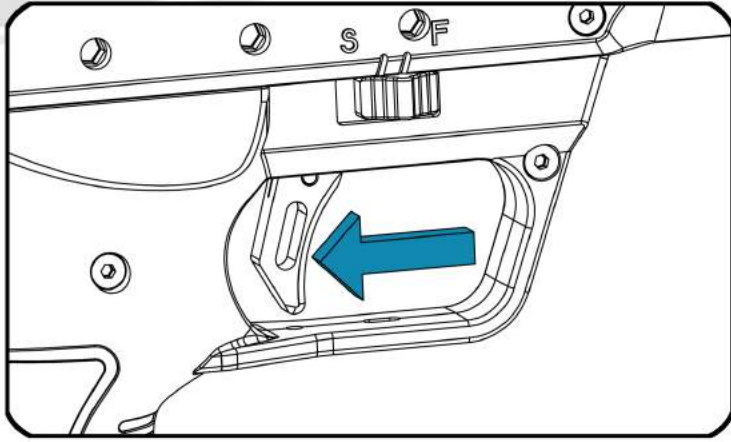


5 While the trigger is still pushed front, slide buttplate starting at the bottom and sliding up.

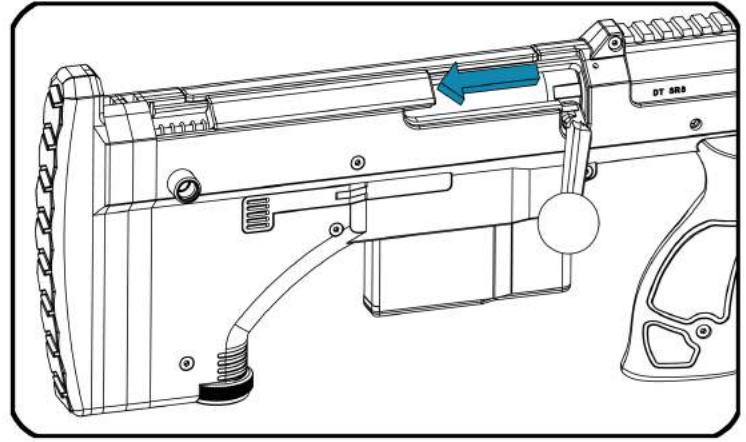
! Do not release the pressure on the trigger during this operation.



6 Make sure the tab is in the locked position (toward the receiver)

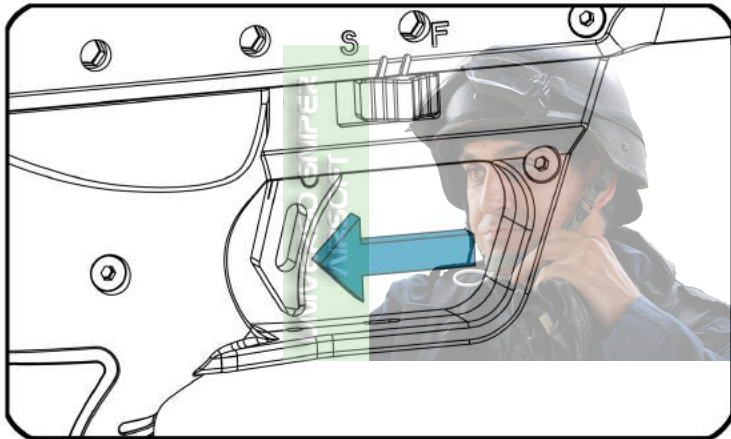


- 7** Pull the trigger to release the spring guide inside the buttplate.
- !** Make sure the spring guide is sitting in correct position inside the buttplate.

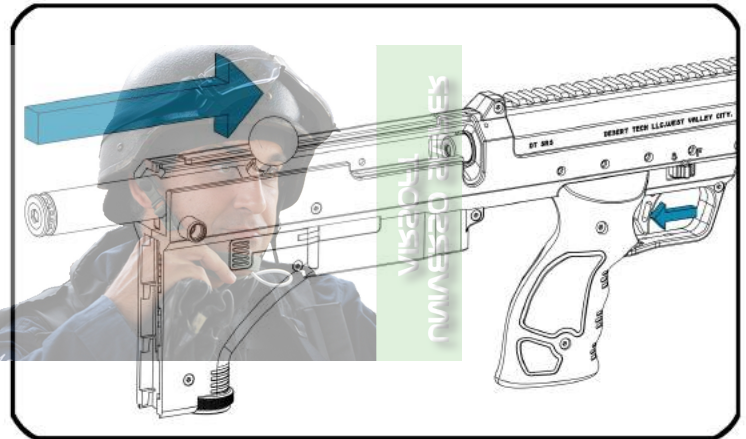


- 8** Insert the dust cover into the ejection window, then slide it backward.

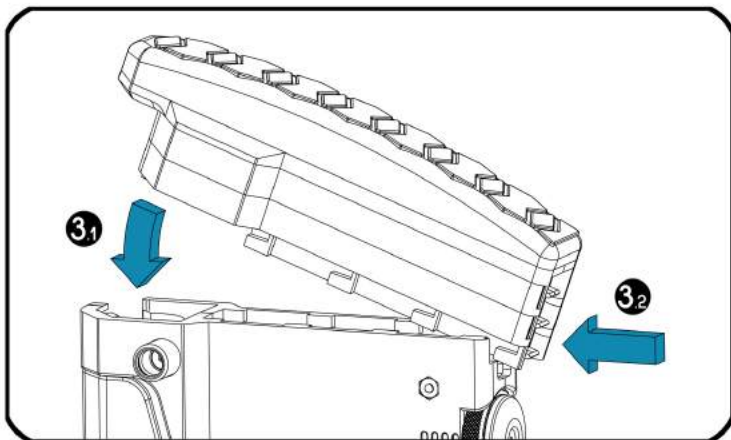
PUSH BOLT & BUTTPLATE



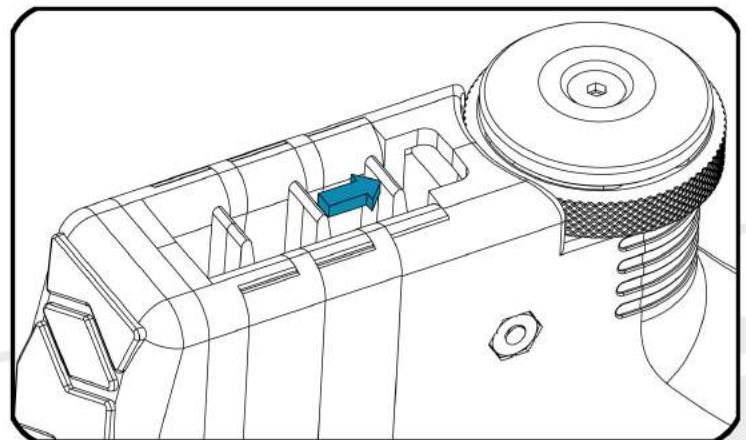
- 1** Pull the trigger.
- !** Make sure that safety is off before pulling the trigger.



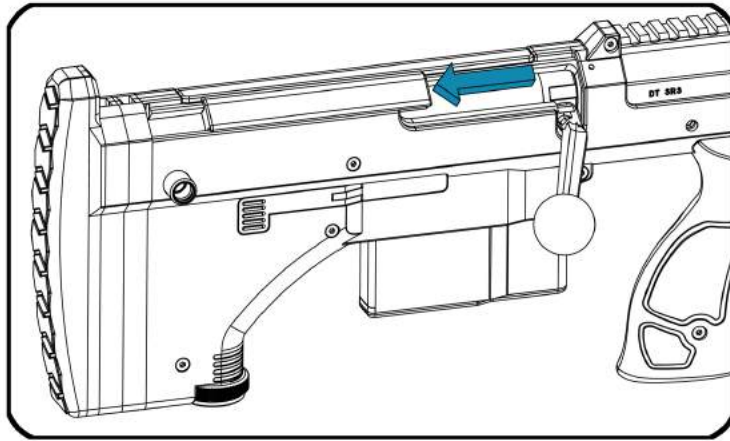
- 2** While pulling the trigger, fully engage the bolt inside the receiver.



- 3** Engage the buttplate by the bottom side, then slide it up.



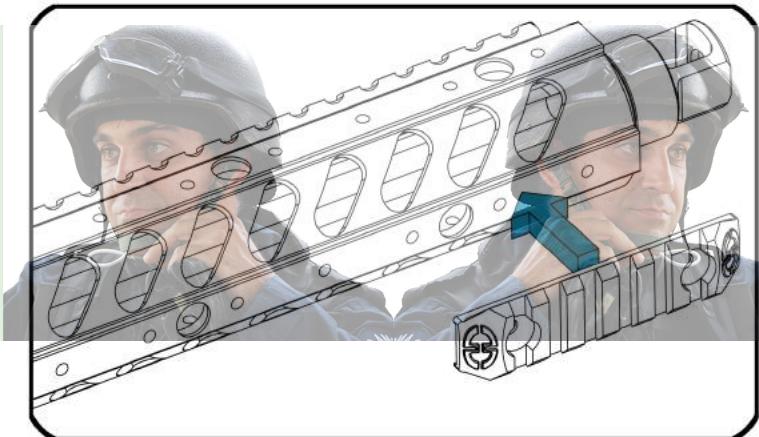
- 4** Make sure that the tap is in lock position.



- 5 Insert the dust cover into the ejection window, then slide it backward.

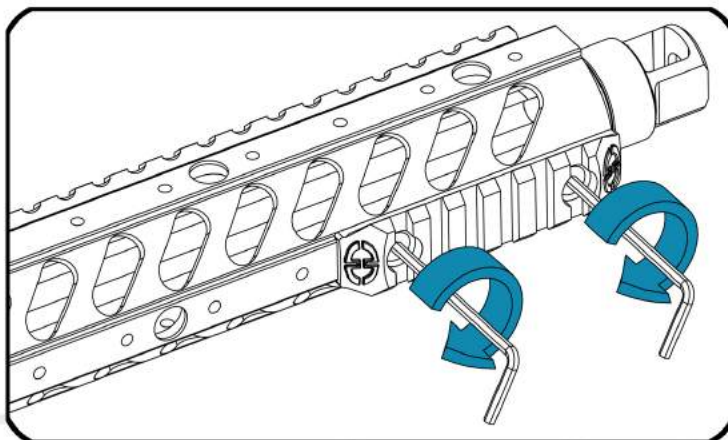
RAILS

UNIVERSO SMIPER
AIRSOFT



UNIVERSO SMIPER
AIRSOFT

- 1 Install the rail on the handguard in the desired position

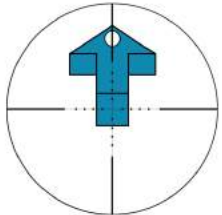


- 2 Secure the rail using two M4x10 screws from the screw set bag.

SETTINGS

HOPUP

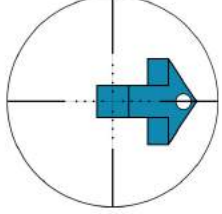
⚠ SRS 20" Sport is comes with long knurled screws pre installed, allowing toolless adjustment. For SRS 16"/22"/26", you can also use these screws (from the screw set bag, please refer pages 6 & 7).



Case #1: too much hopup effect without side spin:
loosen both hopup screws equally.



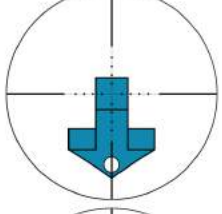
Case #2: too much hopup effect with right side-spin:
loosen right side hopup screw.



Case #3: good hopup effect with right side-spin:
loosen right side hopup screw, tighten left side hopup screw.



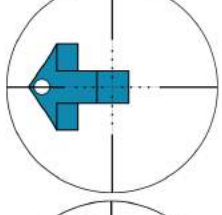
Case #4: not enough hopup effect with right side-spin:
tighten left side hopup screw.



Case #5: not enough hopup effect without side-spin:
tighten both hopup screws equally.



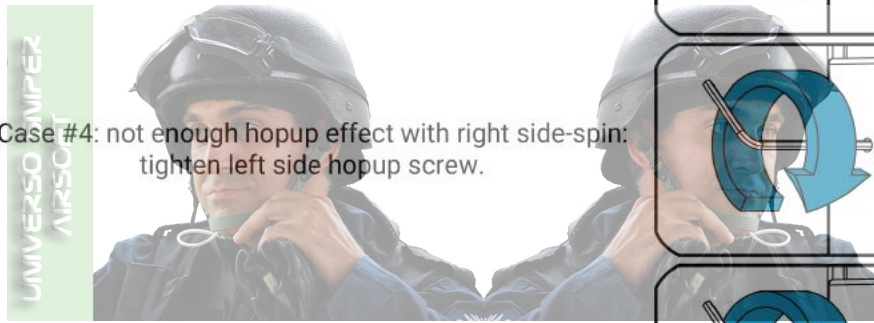
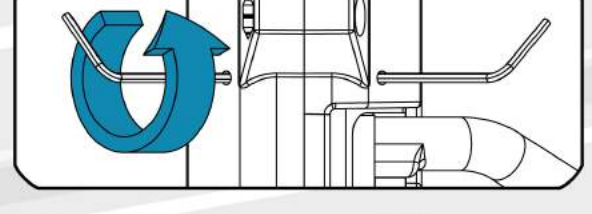
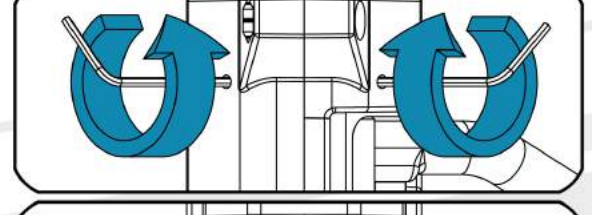
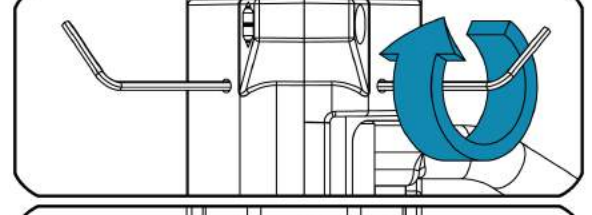
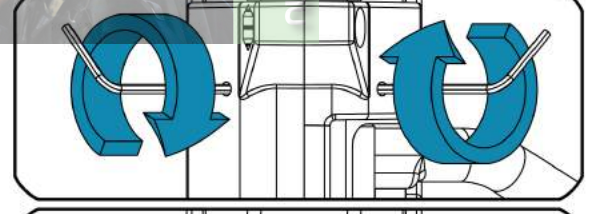
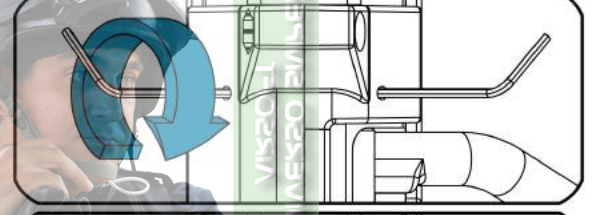
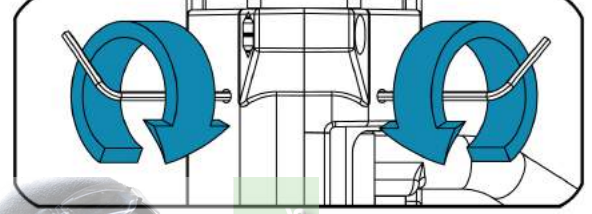
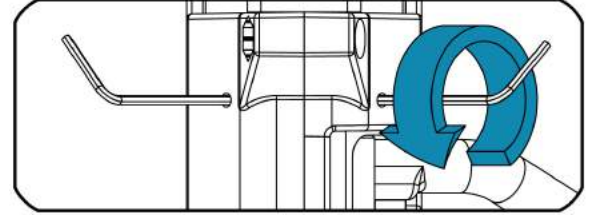
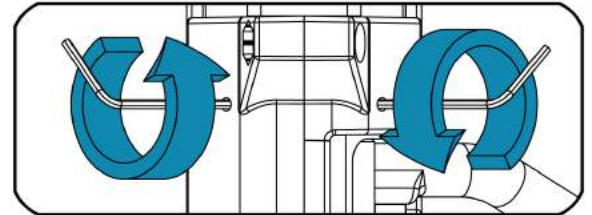
Case #6: not enough hopup effect with left side-spin:
tighten right side hopup screw.



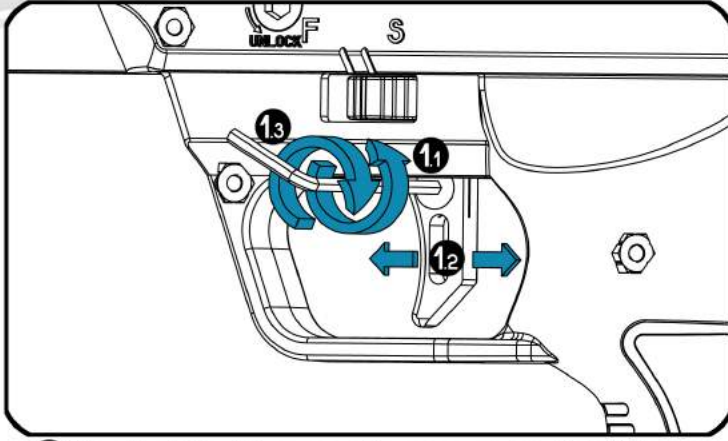
Case #7: good hopup effect with left side-spin:
tighten right side hopup screw, loosen left side hopup screw.



Case #8: too much hopup effect with left side-spin:
loosen left side hopup screw.

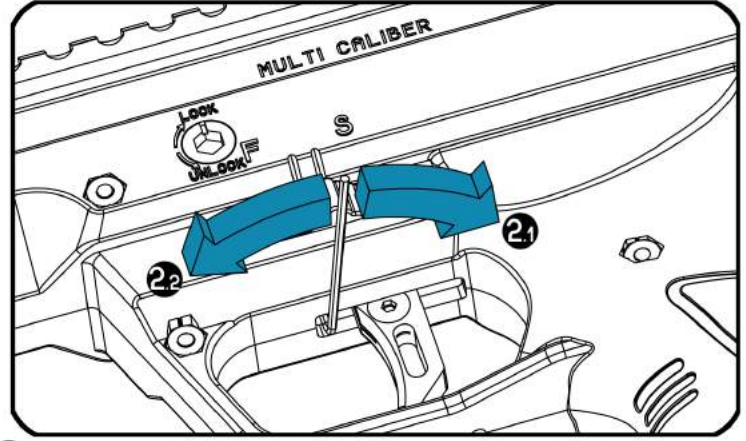


TRIGGER BOX



- 1 To adjust the trigger position, loosen the M4x6 trigger screw. 2 Slide the trigger forward or back to the desired position. 3 Tighten the M4x6 trigger screw to lock the position of the trigger.

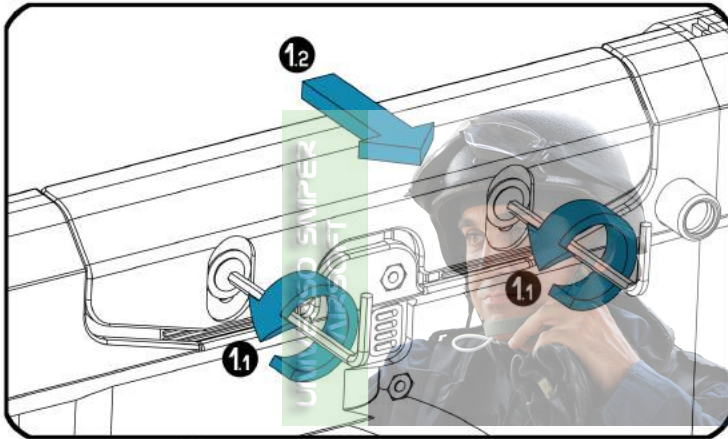
⚠ This adjustment is not available for SRS Sport.



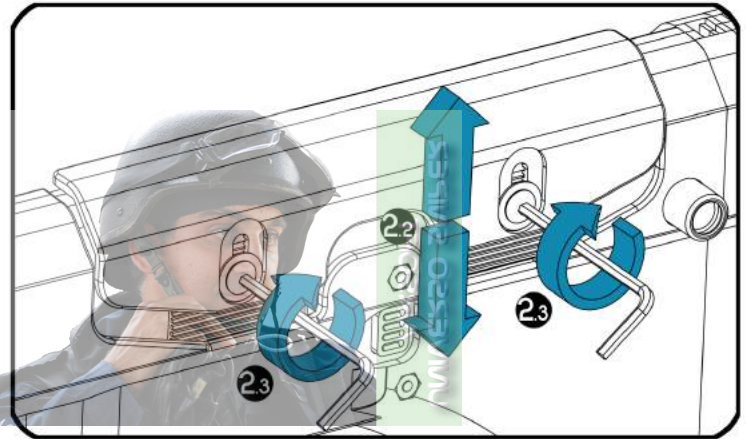
- 2.1 To adjust the trigger pull weight, tighten the M3x12 trigger screw to increase the pull weight. 2.2 Loosen the M3x12 trigger screw to decrease the trigger pull weight.

⚠ Excessive high trigger weight adjustment will disable safety use, and disable safe piston sear action.

CHEEKPAD

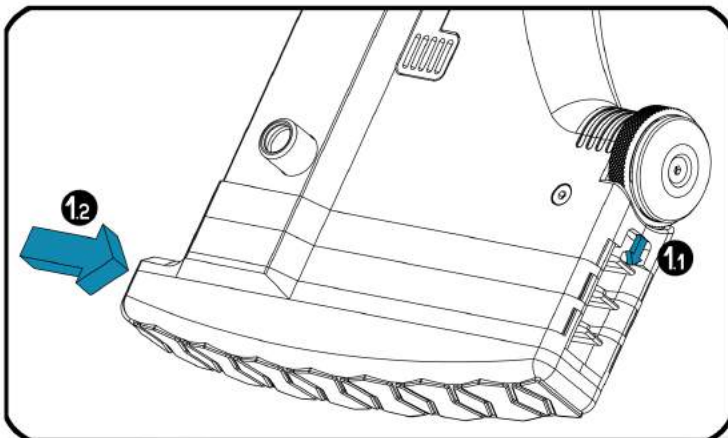


- 1 Loosen the two M5x6 screws.
2 Slide the cheekpad outward.

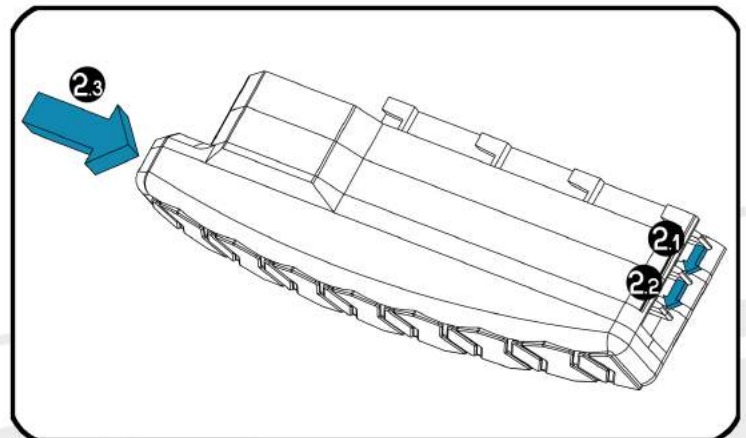


- 2.2 Adjust the cheekpad position (six positions allowed).
2.3 Tighten the two M5x6 screws to lock the position of the cheekpad.

BUTTPLATE



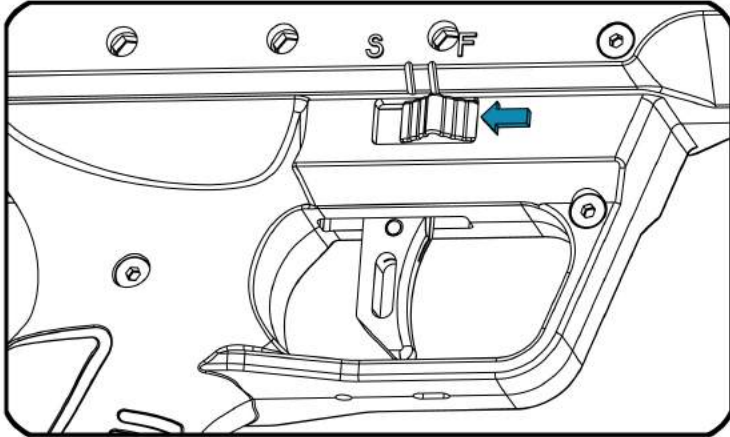
- 1 While pressing the tab backwards, 2 push the buttplate down to remove it. ⚠ Using the end buttplate spacer (SRS214) is mandatory for pull bolt, and using at least one buttplate spacer is highly recommended. For push bolt SRS, make sure the bolt is in forward position before to remove the buttplate.



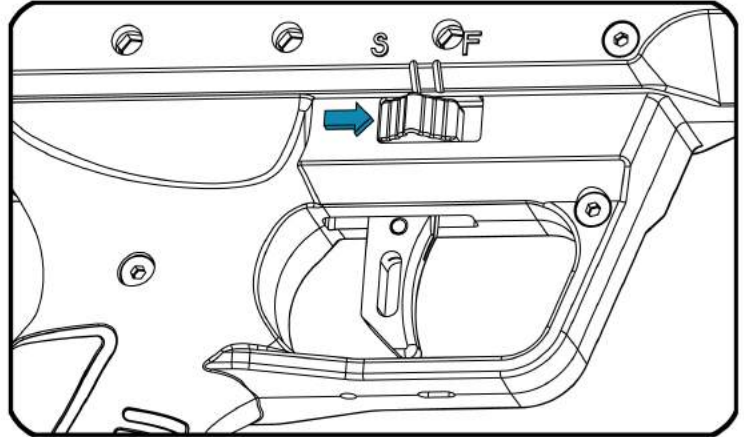
- To remove a buttplate spacer, 2.1 while pressing the tab backward, push the buttplate downward 2.3. 2.2 Repeat this to remove two layers.
⚠ These operations are easier to proceed while the buttplate is engaged inside the stock.

OPERATION

SAFETY

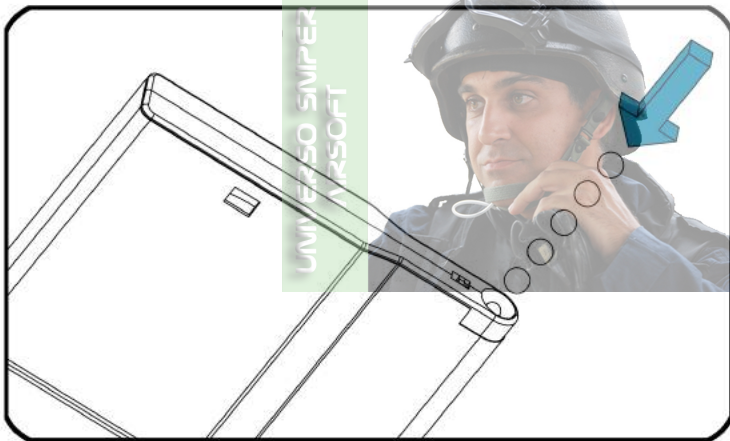


- 1 Slide the safety button (right or left) to «S» position to engage the safety.

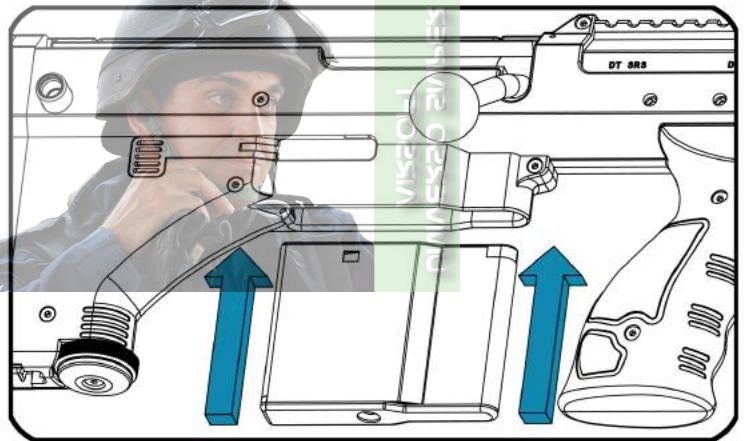


- 2 Slide the safety button (right or left) to «F» position to disengage the safety.

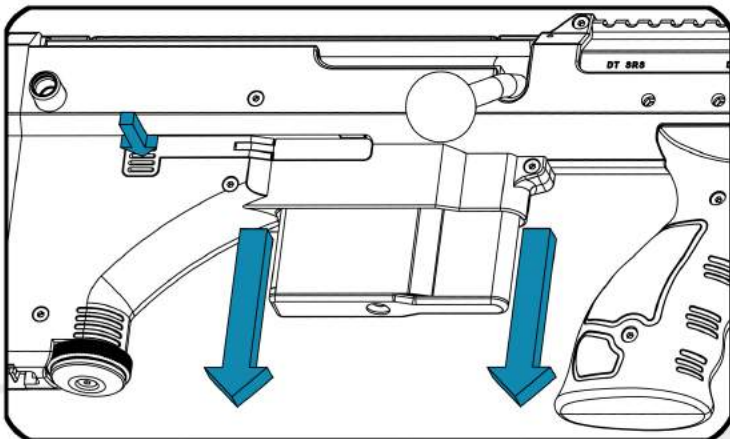
MAGAZINE



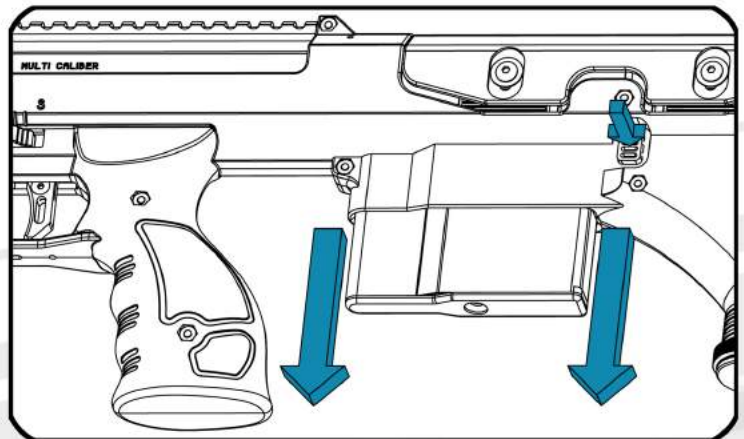
- 1 Insert 6 mm bbs inside the magazine (by hand or using a bb loader). Magazine capacity: 30 bbs.



- 2 Insert the magazine firmly to ensure correct magazine retention.

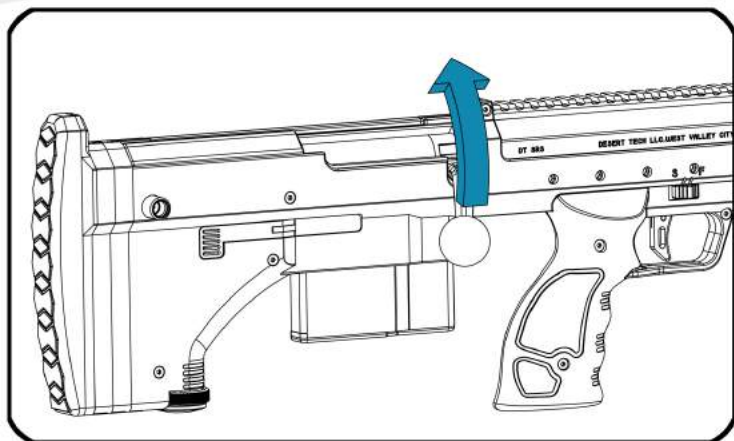


- 3 To remove the magazine, pull the magazine down after depressing the right side magazine release button.

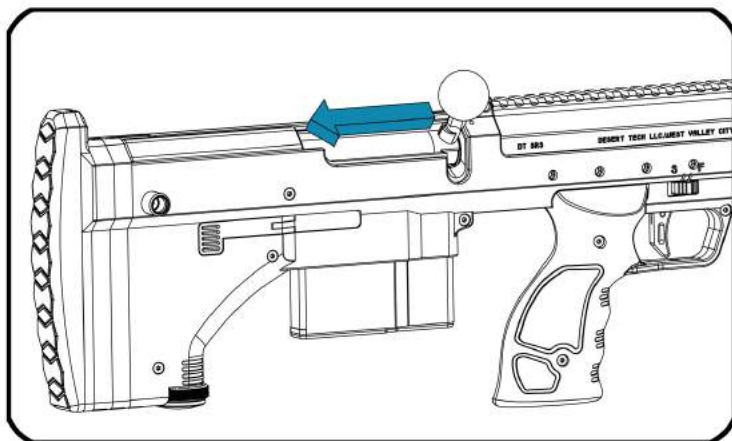


- 4 You can also remove the magazine using the left side magazine release button.

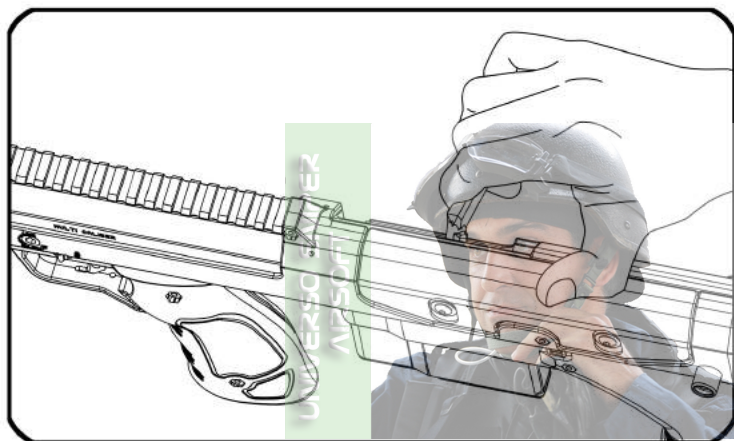
SHOOTING (PULL BOLT)



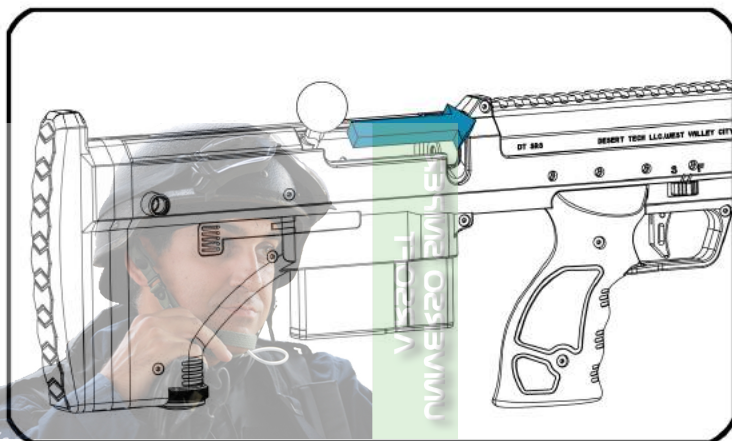
- 1** Pull up the bolt handle.
⚠ Make sure that the bolt is not already armed to avoid double feed.



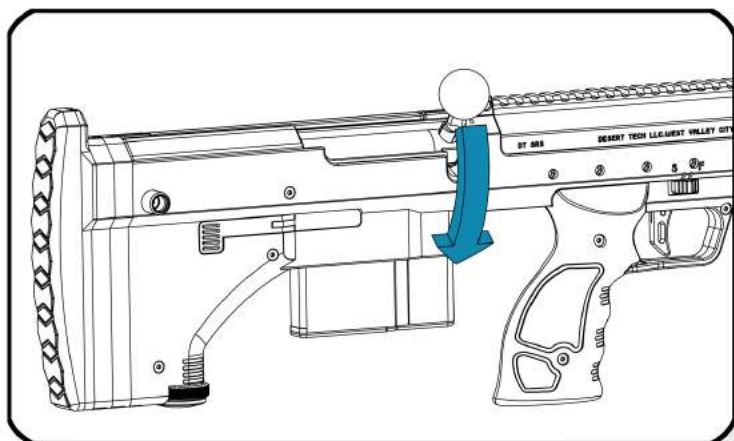
- 2** Move the bolt backward to compress the spring and lock the piston sear (until it clicks).



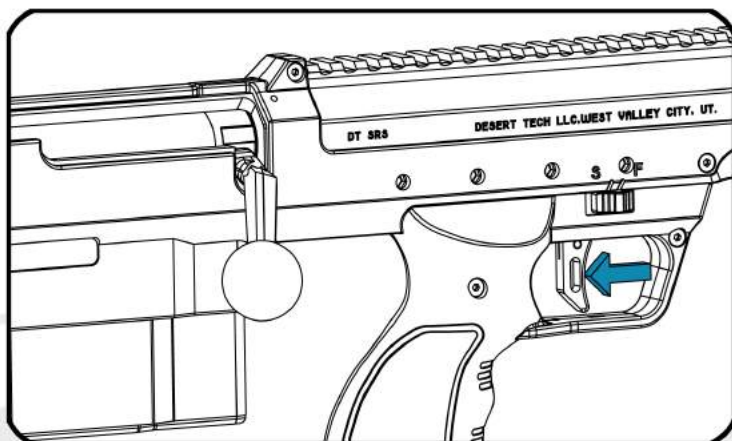
- 3** It is recommended that you pull the bolt by grabbing the bolt handle as close to the cylinder as possible (to reduce friction and ease priming movement).



- 4** Push the bolt forward to engage a bb inside the hopup (you can visually check inside the hopup if your magazine is empty).



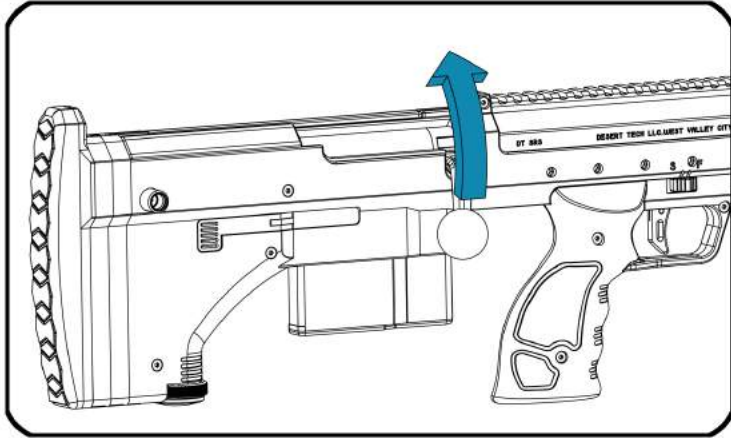
- 5** Lock down the bolt handle to lock the bolt.



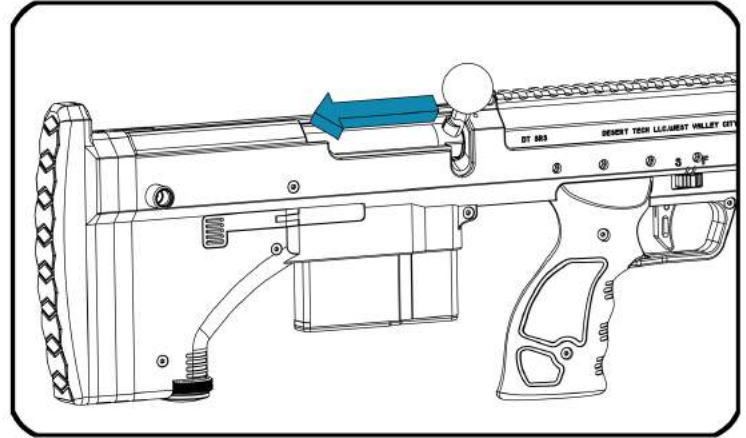
- 6** Pull the trigger to shoot.

- ⚠** Be sure safety is off.
⚠ Do not shoot without barrel assembly installed, it will damage the receiver.

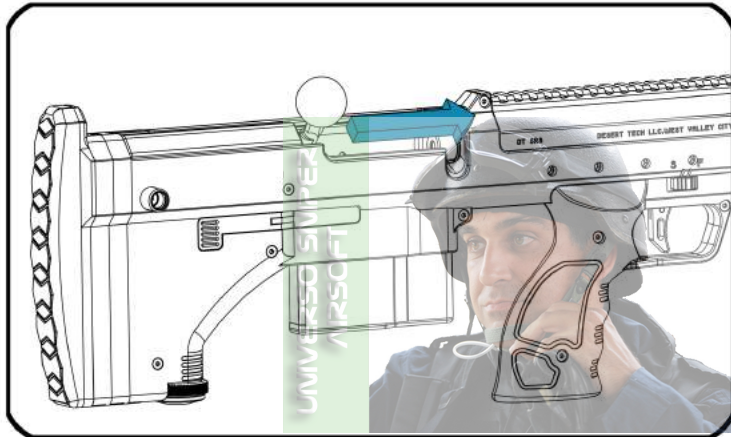
SHOOTING (PUSH BOLT)



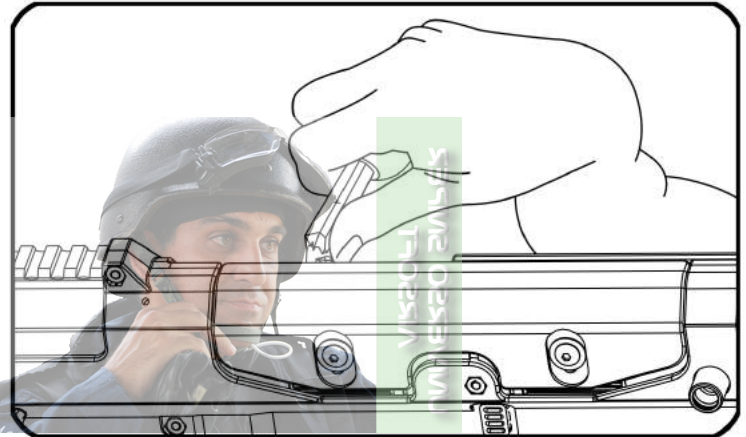
- 1** Pull up the bolt handle.
⚠ Make sure that the bolt is not already armed to avoid sudden bolt movement.



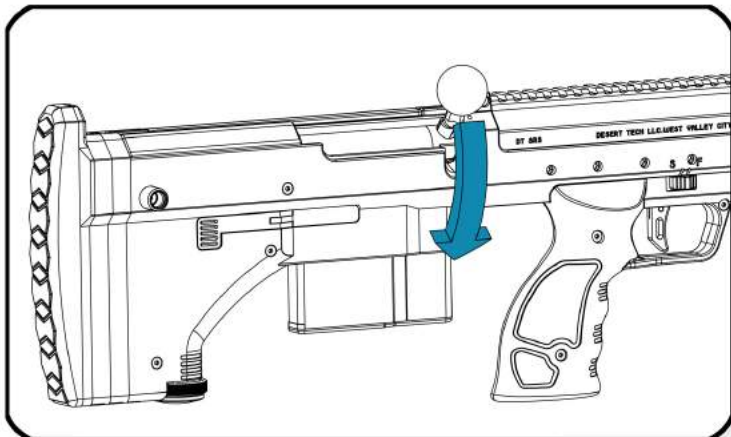
- 2** Move the bolt backward to engage the piston end on the piston sear (until it clicks).



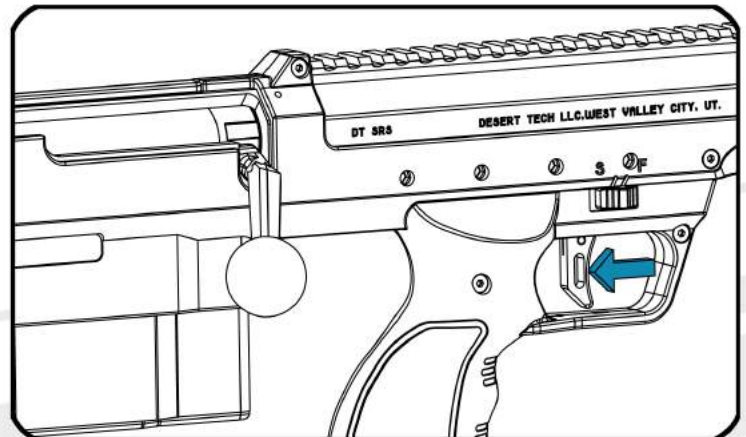
- 3** Push the bolt forward to compress the spring and engage a bb inside the hopup (you can visually check inside the hopup if your magazine is empty).



- 4** We advise you to push the bolt with your thumb in the indicated position to ease the movement.

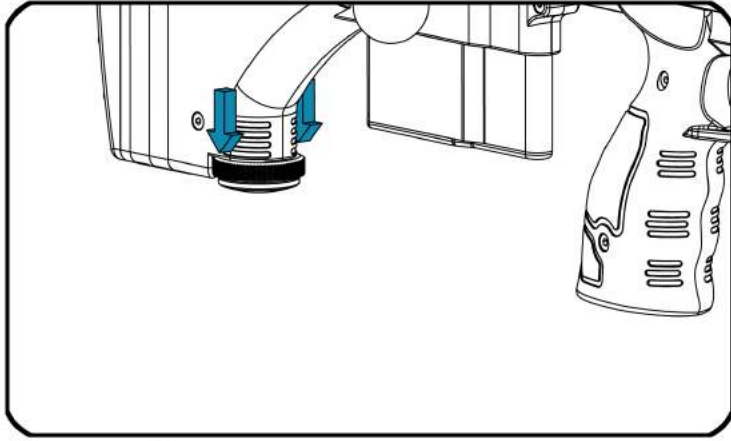


- 5** Lock down the bolt handle to lock the bolt.

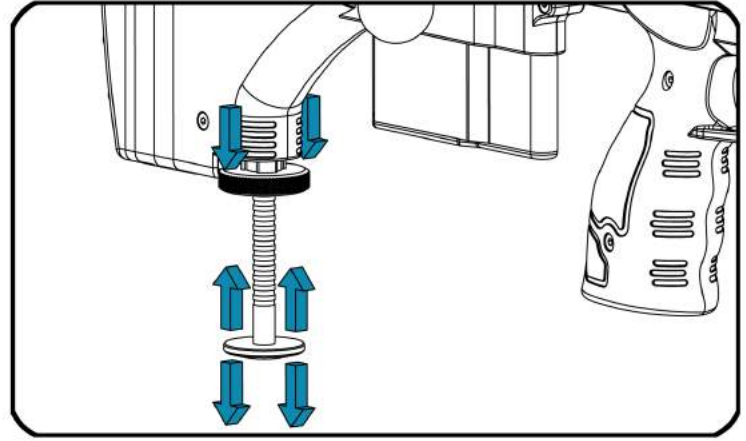


- 6** Pull the trigger to shoot.
⚠ Be sure safety is off.
⚠ Do not shoot without barrel assembly installed, it will damage the receiver.

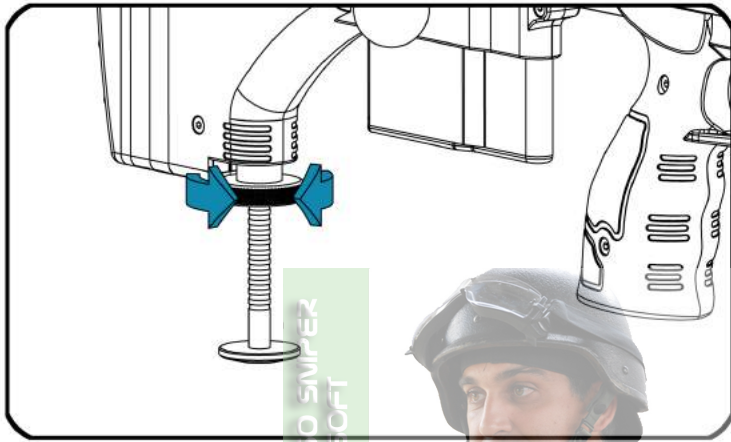
MONOPOD (except SRS Sport)



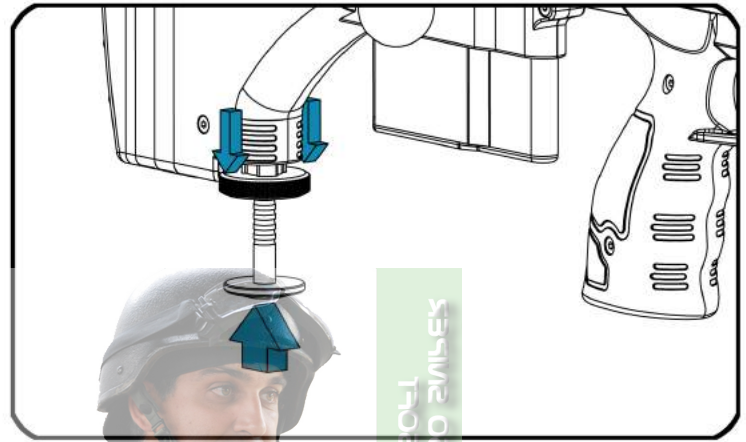
1 To release the monopod, pull down on the monopod knob.



2 For fast adjustment, push up or down on the monopod foot, while holding the monopod knob.



3 For fine-tune adjustments, turn the monopod knob clockwise to add elevation and counter-clockwise to decrease elevation.



4 To return to original retracted position, push up on the monopod foot while holding the monopod knob downward.

MAINTENANCE

GREASING/OILING

Bolt assembly does require regular, de-greasing, cleaning and re-greasing for optimal performance. We recommend you use a silicone based grease with PTFE as provided with your SRS replica. Steel parts need greasing to avoid rust which include: bolt assembly, QD sling attachment and magcatch. Avoid oiling or greasing at any time: nozzle, hop up, inner barrel, and the internals of the magazine. Doing so will affect accuracy and efficiency.

CLEANING (BARREL/HOPUP)

Inner barrel and hop up unit must be perfectly clean to ensure optimum performances and accuracy, we suggest you to use a small cotton ball soaked in a non corrosive solution (alcohol or plastic/rubber friendly degreasing chemical) and push it through the inner barrel with a plastic rod from muzzle to hop up. Repeat this operation with a new soaked cotton ball until this one remains clean. We advise you to perform this operation on this airsoft gun before first use.

STORAGE

After use, remove all the bbs from the magazine to relieve pressure on the magazine spring. Make sure the feeding tube is empty. If so, shoot in a safe direction to make sure the hopup chamber is empty. For long term storage, we recommend you to remove the bolt assembly from your replica to relieve pressure on hopup internal orings, ensuring long lasting air seal, and long lasting spring force (for pull bolt).

OPTIONAL PARTS & ACCESSORIES

TRIGGER GROUP	
SBA-TRG-01	trigger - standard
SBA-TRG-02	trigger - dual stage - classic
SBA-TRG-03	trigger - dual stage - speed
SBA-TRG-04	trigger - dual stage - match
SBA-TRG-05	trigger - sport
SBA-TRG-07	trigger box + safety
SBA-TSB-01	transfer bar
SBA-PTS-01	piston sear

STOCK	
SBA-STK-07BK	stock panels - black - right handed
SBA-STK-07FDE	stock panels - FDE - right handed
SBA-STK-07OD	stock panels - OD - right handed
SBA-STK-07WG	stock panels - WG - right handed
SBA-STK-07BK-L	stock panels - black - left handed
SBA-STK-07FDE-L	stock panels - FDE - left handed
SBA-STK-07OD-L	stock panels - OD - left handed
SBA-STK-07WG-L	stock panels - WG - left handed
SBA-STK-02	buttplate spacer - 1 pce.
SBA-STK-03	buttplate spacers - 3 pcs.
SBA-STK-04	buttplate base + damper
SBA-STK-05	dust cover
SBA-STK-08	monopod plug
SBA-STK-16	buttplate spacer - pull - 1 pce.
SBA-MGC-01	magcatch system

MUZZLES	
SBA-FHD-01	muzzle brake - .30 - DTSS compatible
SBA-FHD-02	muzzle brake - .338 - large model
SBA-FHD-03	14 mm neg. thread protection
SBA-FHD-04	muzzle brake - .338 - DTSS compatible
SBA-SIL-06	fine tuning shim set
SBA-SIL-07	14 mm adapter for SBA-OBL-19 & 20

SILENCER	
SBA-SIL-02	DTSS silencer .30
SBA-SIL-03	SBA-SIL-02 + SBA-FHD-01
SBA-SIL-04	DTSS silencer .338
SBA-SIL-05	SBA-SIL-04 + SBA-FHD-04
SBA-BBS-09	barrel spacer - DTSS silencer

HANDGUARD	
SBA-HDG-01	handguard - long
SBA-HDG-02	handguard - Covert
SBA-HDG-03	handguard thread protection
SBA-HDG-04	handguard - MLOK
SBA-RAL-03	QD mount for handguard
SBA-RAL-04	handguard rail - short - 3 pcs.
SBA-RAL-05	handguard rail - long - 1 pce.

CHASSIS	
SBA-BBT-03	feeding tube
SBA-MNP-01	monopod
SBA-ORG-01	oring set
SBA-SST-01	screw set

SCOPE MOUNT	
SBA-SMT-01	DTSM replica with 25/30 mm adapters

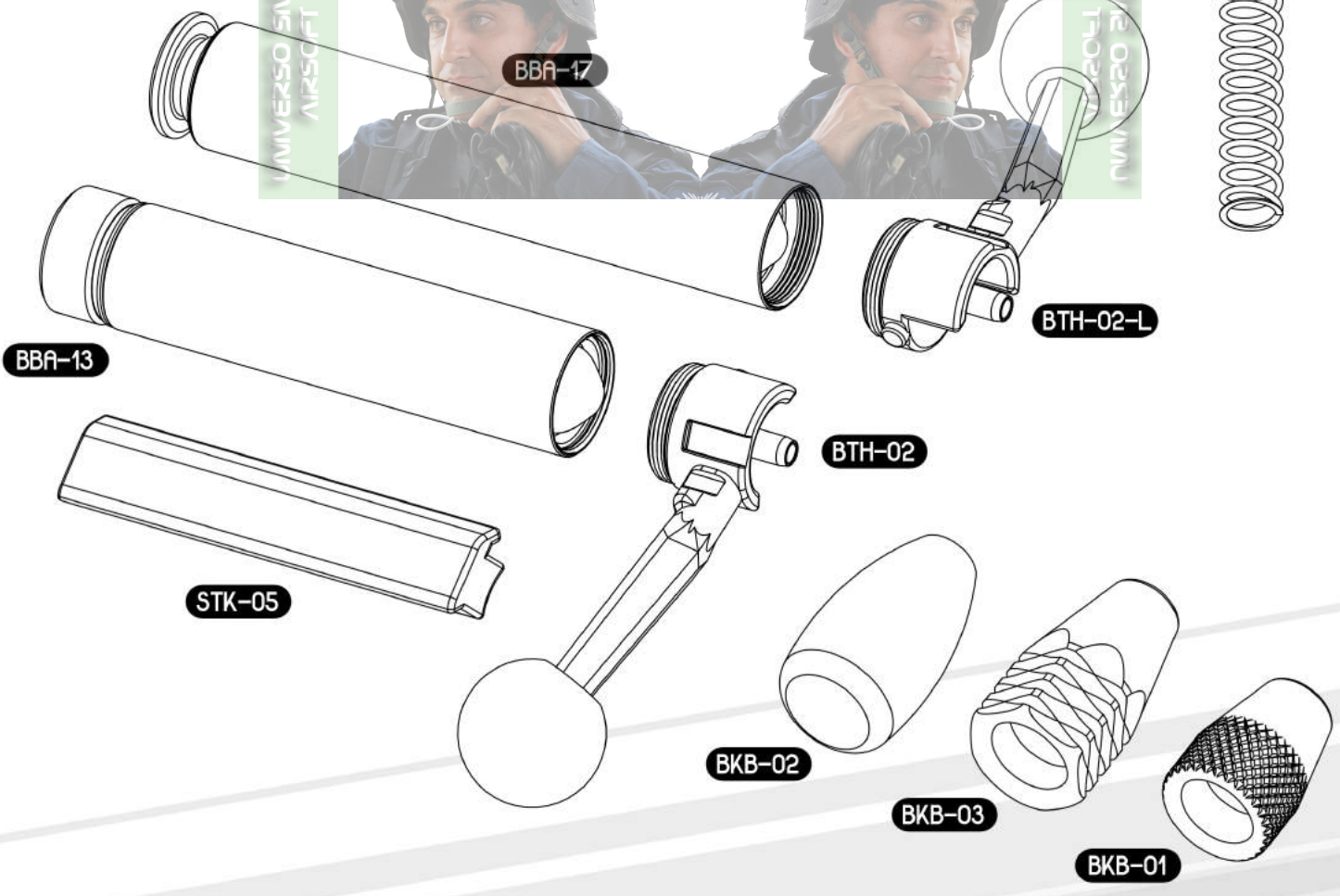
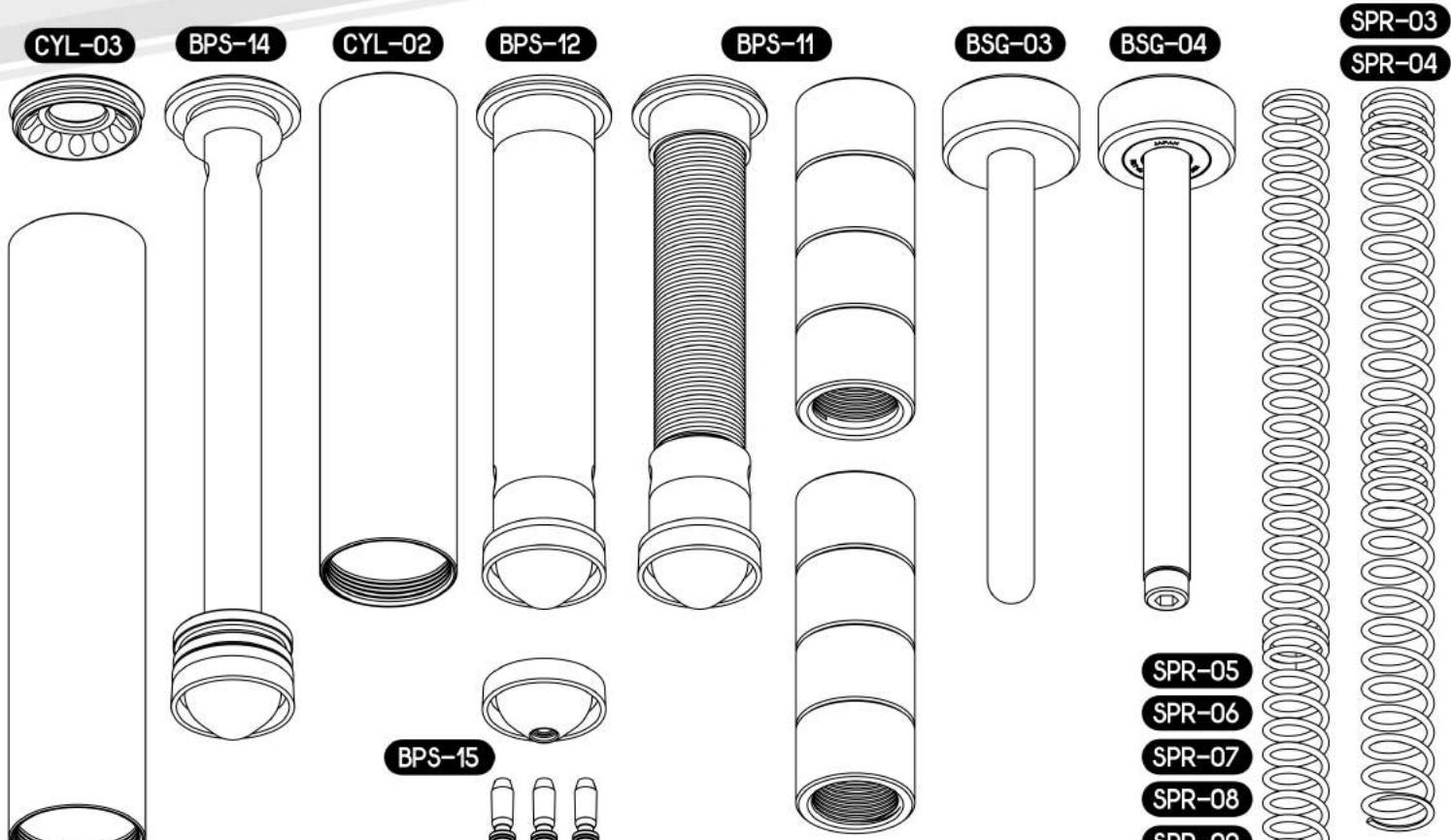
SPRINGS	
SBA-SPR-03	M95 - push
SBA-SPR-04	M130 - push
SBA-SPR-05	M140 - pull
SBA-SPR-06	M160 - pull
SBA-SPR-07	M170 - pull
SBA-SPR-08	M150 - pull
SBA-SPR-09	M120 - pull
SBA-SPR-10	M90 - pull

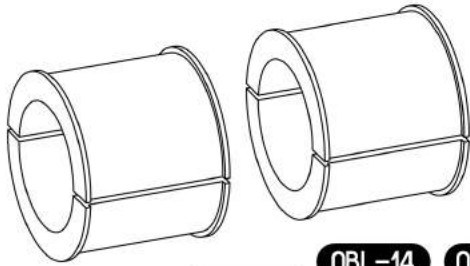
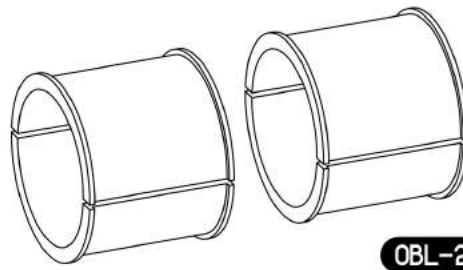
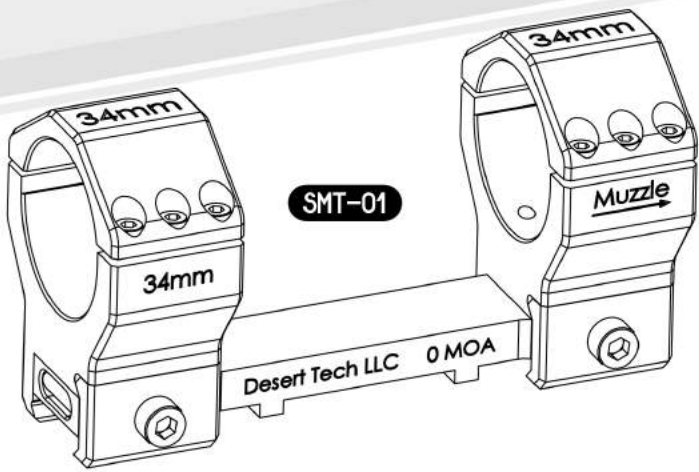
BARREL	
SBA-OBL-11	barrel - 26" fluted
SBA-OBL-12	barrel - 22" fluted
SBA-OBL-13	barrel - 16" tapered
SBA-OBL-14	barrel - 18" tapered
SBA-OBL-15	barrel - 22" bull
SBA-OBL-16	barrel - carbon - 455 mm
SBA-OBL-17	barrel - carbon - 590 mm
SBA-OBL-18	barrel - carbon - 650 mm
SBA-OBL-19	barrel - G-Spec + SBA-HDG-03
SBA-OBL-20	barrel - 20" bull - sport
SBA-OBL-21	barrel - 25" fluted - tornado
SBA-OBL-22	barrel - 18" fluted - tornado
SBA-BBS-07	barrel spacer - carbon / sport

HOPUP	
SBA-HOP-06	FAST hopbar & pin
SBA-HOP-14	hopup + SBA-HOP-21
SBA-HOP-15	FAST hopup + SBA-HOP-21
SBA-HOP-20	flat rubber 50° + nub
SBA-HOP-21	flat rubber 60° + nub
SBA-HOP-22	flat rubber 70° + nub
SBA-HOP-23	flat rubber 80° + nub
SBA-HOP-24	SBA-HOP-20 + 21 + 22 +23
SBA-HOP-25	nub - 2 pcs.

BOLT	
SBA-BBA-13	bolt kit - pull
SBA-BBA-17	bolt kit - push
SBA-BKB-01	bolt knob - tactical
SBA-BKB-02	bolt knob - match
SBA-BKB-03	bolt knob - operator
SBA-BPS-11	piston - pull - variable mass
SBA-BPS-12	piston - pull
SBA-BPS-14	piston - push
SBA-BPS-15	airbrake kit
SBA-BSG-03	spring guide
SBA-BSG-04	spring guide - Teflon & thrust bearing
SBA-BTH-02	bolt head - right handed
SBA-BTH-02-L	bolt head - left handed
SBA-CYL-01	cylinder - push
SBA-CYL-02	cylinder - pull
SBA-CYL-03	cylinder end - push

MAGAZINE	
SBA-MAG-03BK	magazine - black - steel
SBA-MAG-03FDE	magazine - FDE - steel
SBA-MAG-03OD	magazine - OD - steel
SBA-MAG-04	magazine - grey - aluminium
SBA-MAG-05	flexible follower - 5 pcs.
SBA-PCH-02BK	double magazine pouch - black
SBA-PCH-02FDE	double magazine pouch - FDE
SBA-PCH-02OD	double magazine pouch - OD





OBL-19

OBL-13

OBL-16

OBL-14

OBL-22

OBL-20

OBL-12

OBL-17

OBL-15

OBL-21

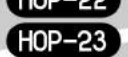
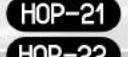
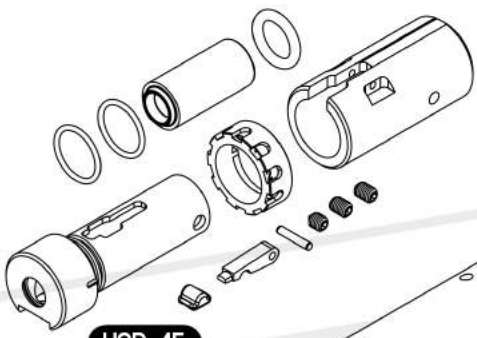
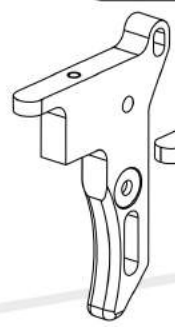
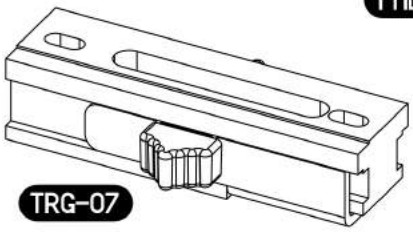
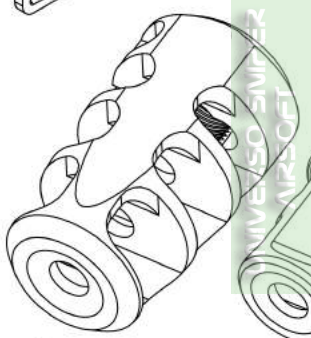
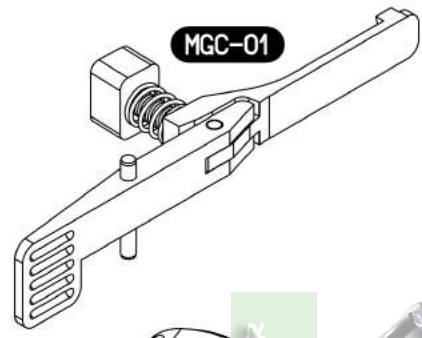
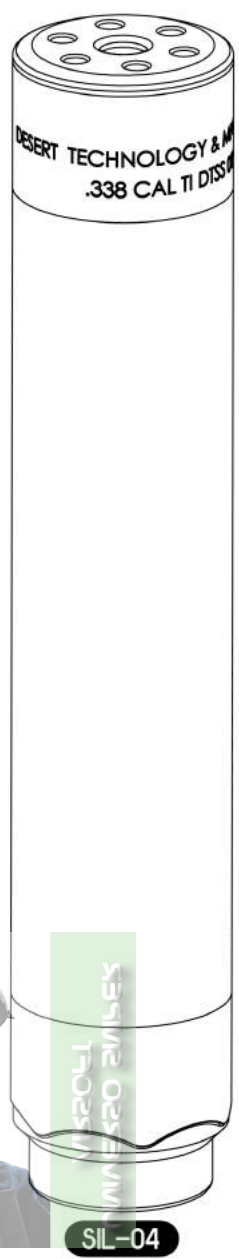
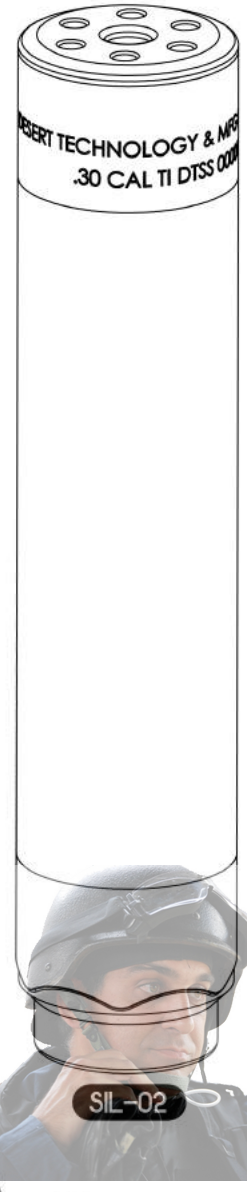
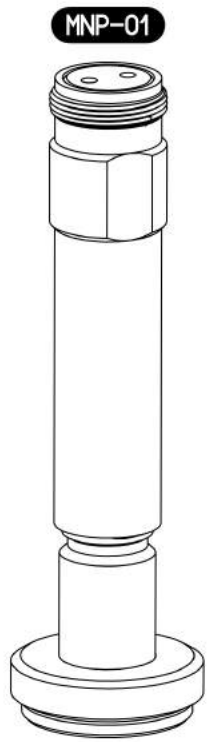
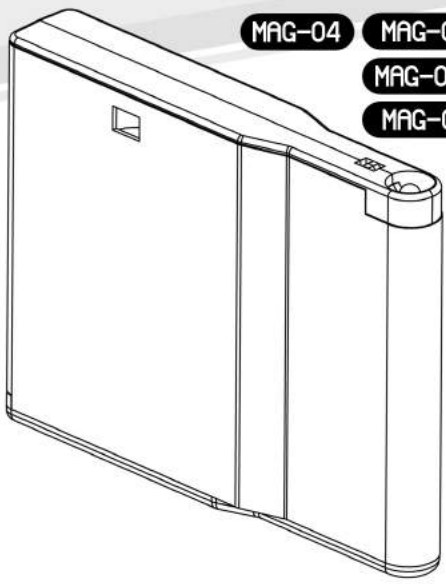
OBL-18

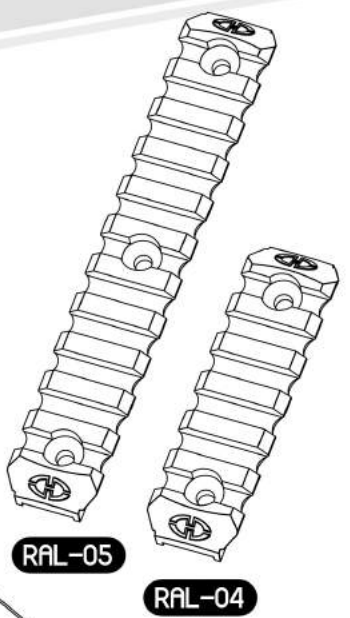
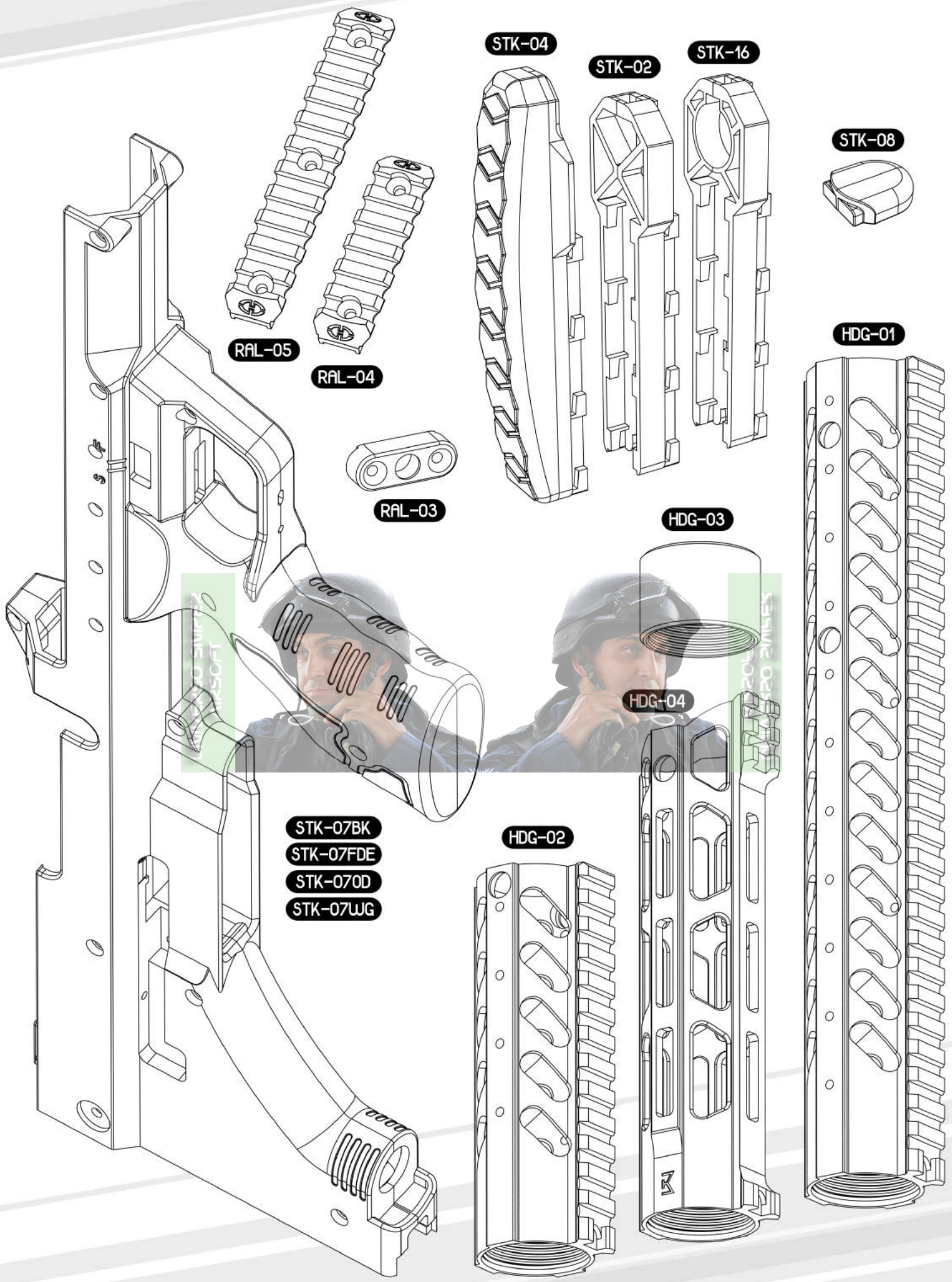
OBL-11

UNIVERSO SMIPEP
AIRSOFT

UNIVERSO SMIPEP
AIRSOFT

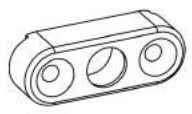




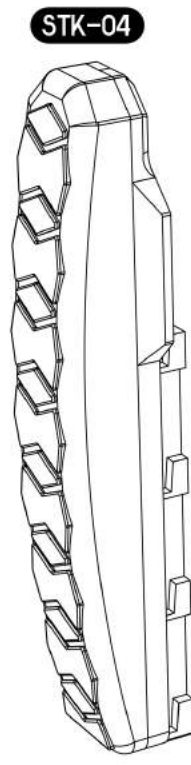


RAL-05

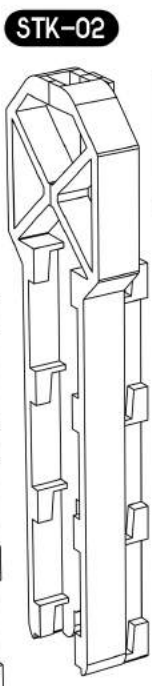
RAL-04



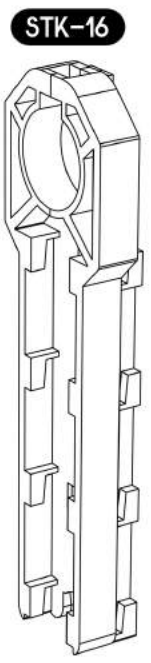
RAL-03



STK-04



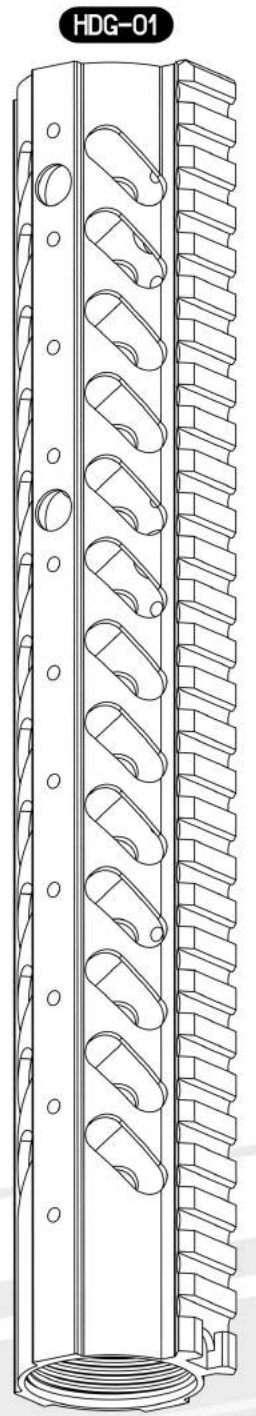
STK-02



STK-16



STK-08



HDG-01

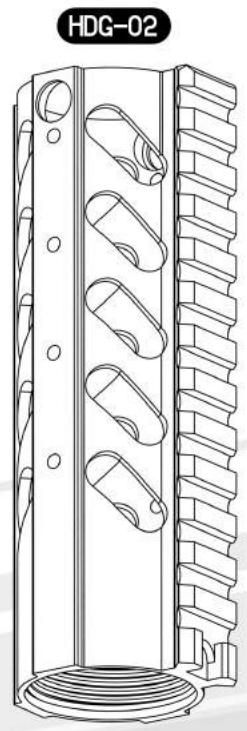


HDG-03

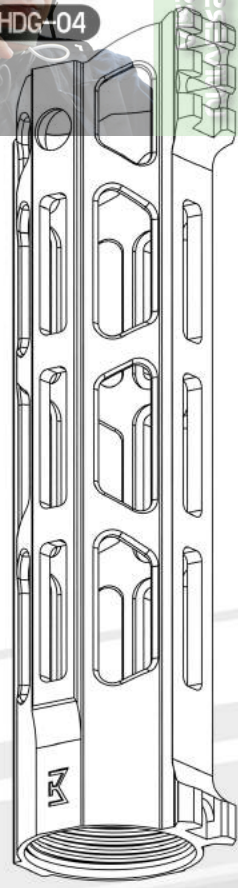


HDG-04

- STK-07BK**
- STK-07FDE**
- STK-070D**
- STK-07WJG**



HDG-02



HDG-03

EXPLODED VIEWS

PARTS LIST

Chassis

SRS101	receiver (right handed)
SRS102	handguard Covert
SRS103	handguard long
SRS104	handguard lock
SRS105	rail
SRS106	barrel lock
SRS110	trigger base
SRS111	trigger blade
SRS113	rod
SRS114	piston sear
SRS116	spring plate
SRS117	receiver (left handed)
SRS118	buttplate hook
SRS119	bolt lug cover
SRS120	sport trigger
SRS121	feeding tube
SRS122	trigger box
SRS123	safety
SRS124	safety button
SRS125	trigger spring
SRS126	piston sear spring

Bolts (push & pull)

SRS301	cylinder (push)
SRS306	bolt knob
SRS311	M95 spring (push)
SRS312	M130 spring (push)
SRS316	cylinder (pull)
SRS322	spring guide base (pull)
SRS323	spring guide rod (pull)
SRS326	monolithic bolt head (right handed)
SRS327	monolithic bolt head (left handed)
SRS329	M120 spring (pull)
SRS330	M90 spring (pull)
SRS331	piston cup
SRS332	piston head (pull)
SRS333	piston body (pull)
SRS334	piston end (pull)
SRS335	piston head (push)
SRS336	piston body (push)
SRS337	piston end (push)
SRS338	thrust bearing (F12-23M)
SRS339	cylinder end (push)

Stock

SRS201	stock panel right (right handed)
SRS202	stock panel left (right handed)
SRS203	buttplate spacer
SRS204	buttplate back
SRS205	buttplate damper
SRS206	QD sling clip
SRS207	magcatch
SRS210	magcatch button right
SRS211	magcatch button left
SRS212	cheekpad
SRS213	monopod plug
SRS214	hollow buttplate spacer
SRS215	dust cover
SRS216	stock panel right (left handed)
SRS217	stock panel left (left handed)
SRS218	magcatch spring

Barrels

SRS401	outer barrel 16"
SRS402	outer barrel 22"
SRS403	outer barrel 26"
SRS404	inner barrel 420 mm
SRS405	inner barrel 578 mm
SRS406	inner barrel 680 mm
SRS407	hopup body
SRS409	M14x1 CCW thread protector
SRS410	M14x1 CCW .30 MB (DTSS compatible)
SRS411	M24x1 CW MB protector
SRS412	M14x1 CCW .338 MB
SRS413	outer barrel 20" base
SRS414	outer barrel 20" tube (DTSS compatible)
SRS415	outer barrel 20" muzzle
SRS416	barrel spacer
SRS417	inner barrel 510 mm
SRS418	hopup long knurled screw
SRS419	hopup rubber (flat - 60°)

Monopod

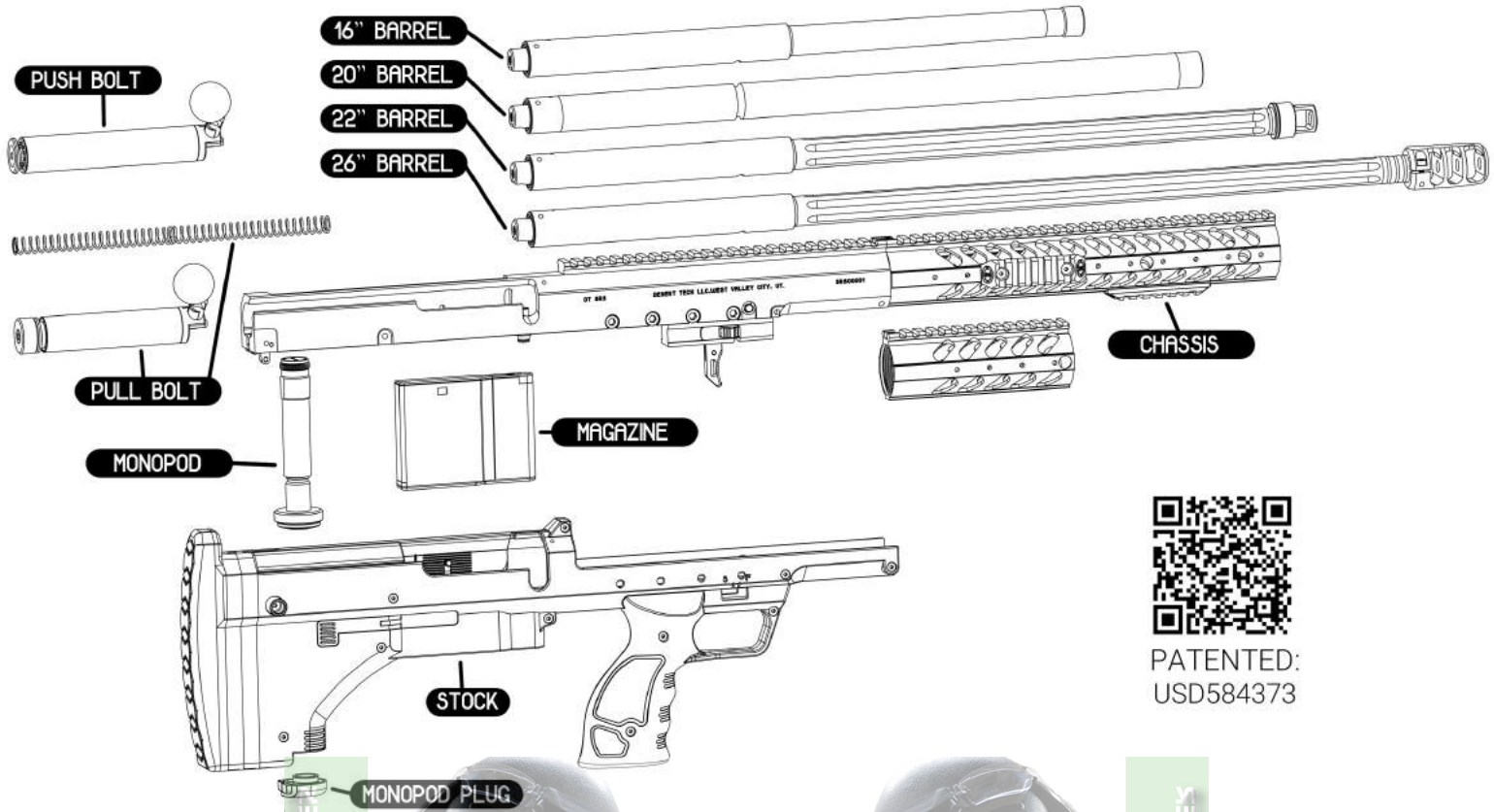
DTMP-0101	monopod first houssing member
DTMP-0102	monopod second houssing member
DTMP-0103	monopod third houssing member
DTMP-0104	monopod extension shaft
DTMP-0105	monopod footpad
DTMP-0106	monopod spring guide
DTMP-0107	monopod knob
DTMP-0108	monopod hat
DTMP-0109	monopod lock spring
DTMP-0110	monopod extension spring

Magazine

SRS601	magazine shell
SRS602	magazine internal right
SRS603	magazine internal left
SRS604	magazine plate
SRS605	magazine spring guide
SRS606	magazine follower
SRS607	magazine bbs stopper
SRS608	magzine follower spring
SRS609	magazine bbs stopper spring



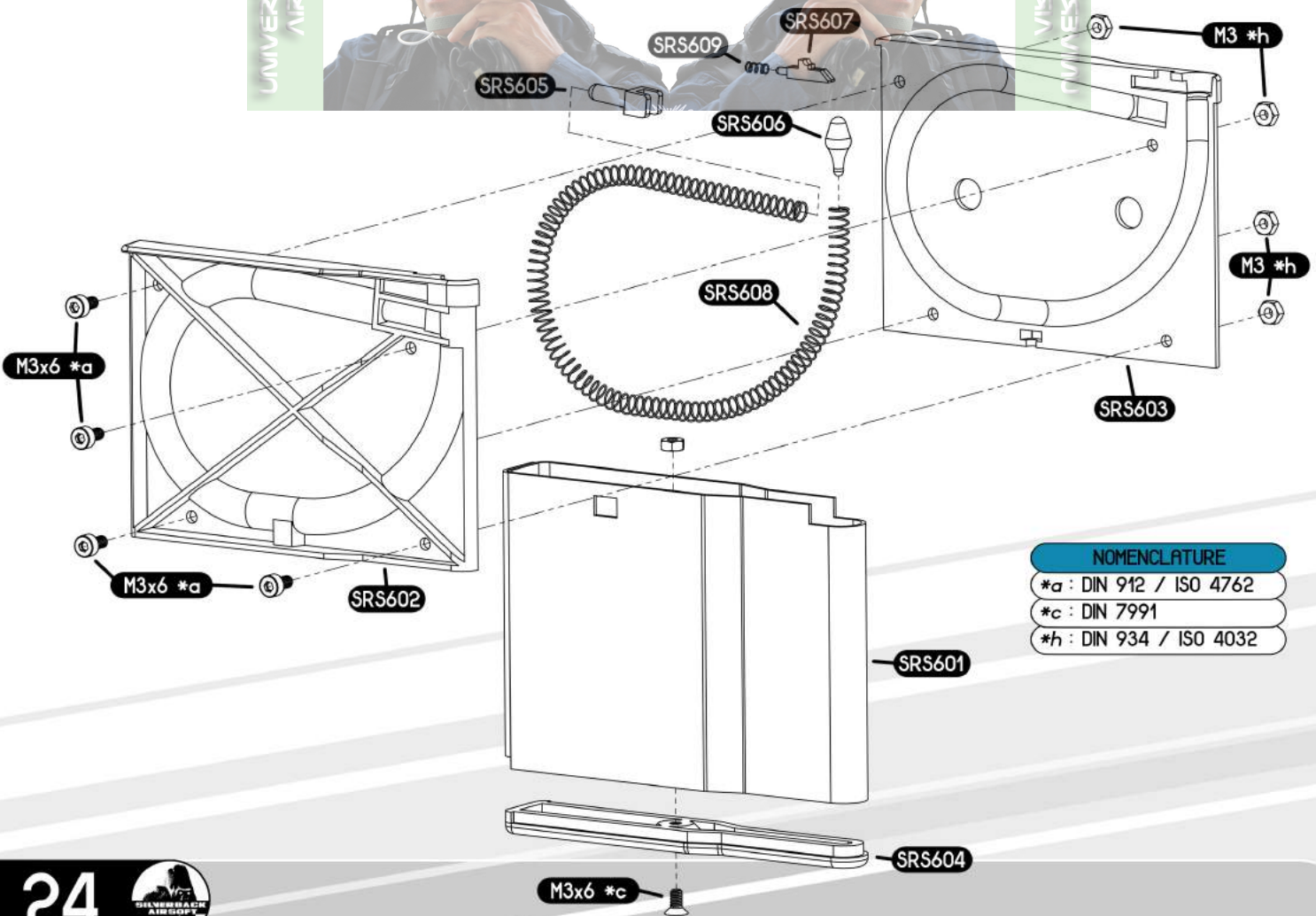
NOMENCLATURE



PATENTED:
USD584373



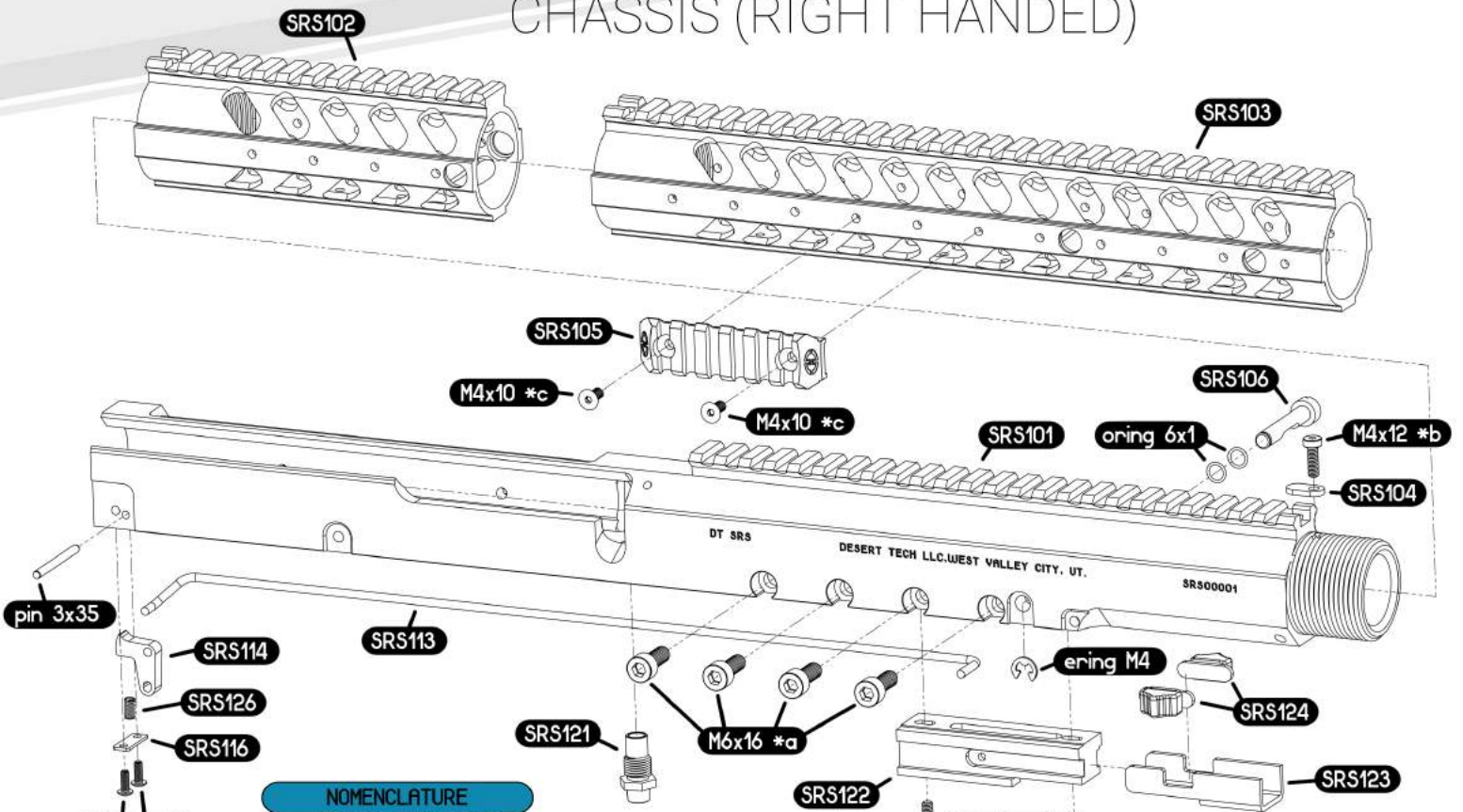
MAGAZINE



NOMENCLATURE	
*a	: DIN 912 / ISO 4762
*c	: DIN 7991
*h	: DIN 934 / ISO 4032

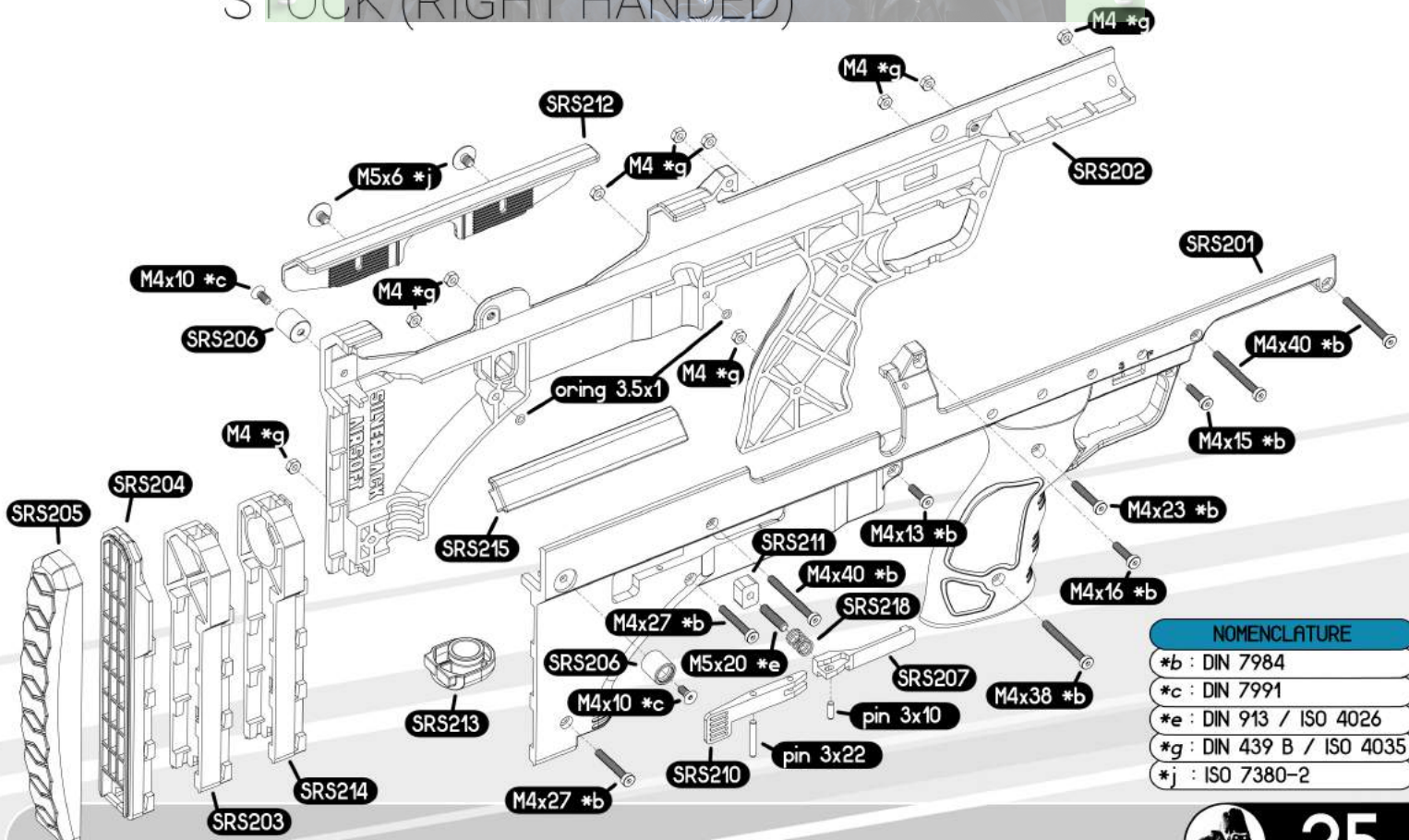


CHASSIS (RIGHT HANDED)



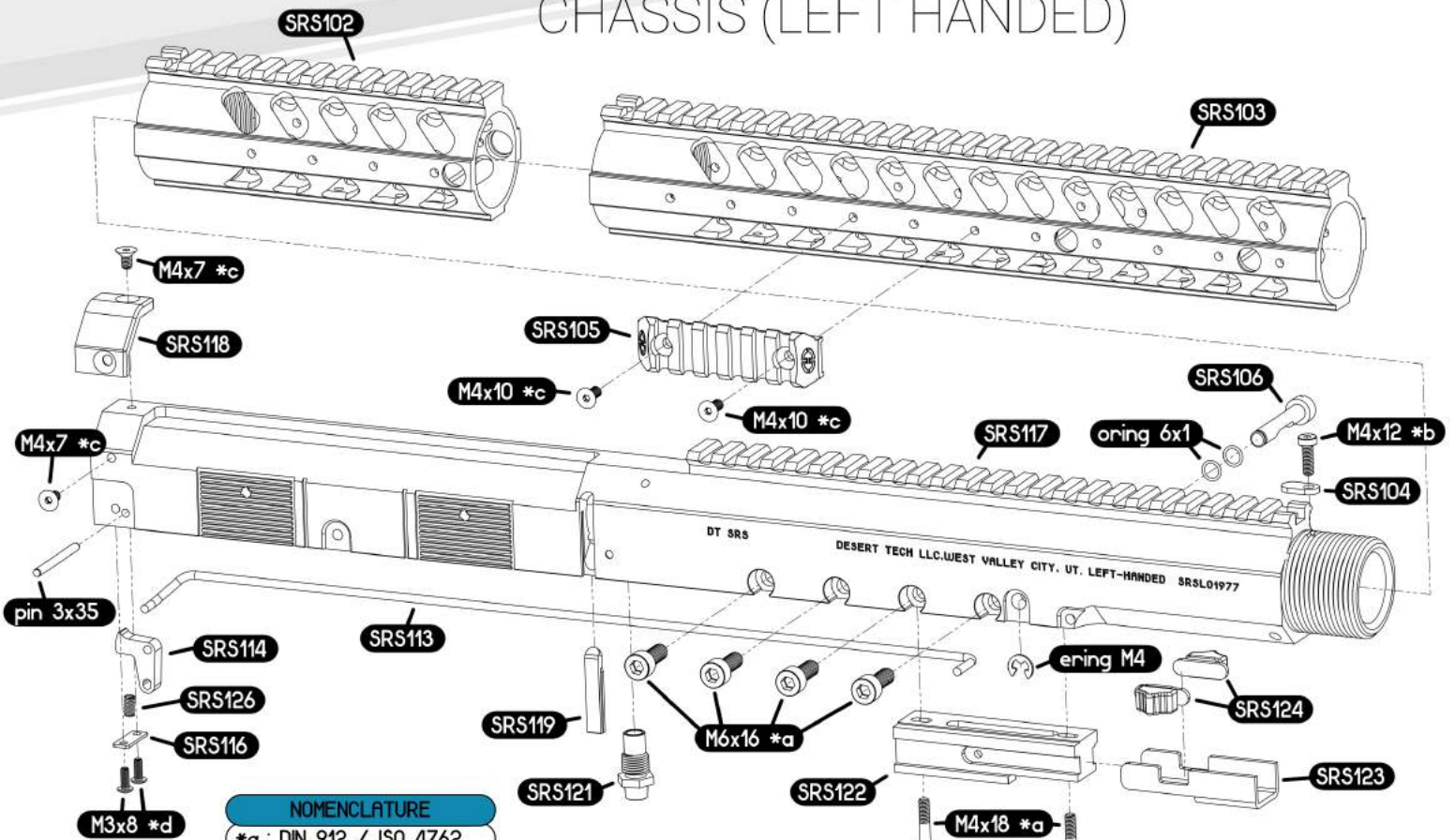
NOMENCLATURE	
*a	: DIN 912 / ISO 4762
*b	: DIN 7984
*c	: DIN 7991
*d	: ISO 7380
*e	: DIN 913 / ISO 4026

STOCK (RIGHT HANDED)



NOMENCLATURE	
*b	: DIN 7984
*c	: DIN 7991
*e	: DIN 913 / ISO 4026
*g	: DIN 439 B / ISO 4035
*j	: ISO 7380-2

CHASSIS (LEFT HANDED)



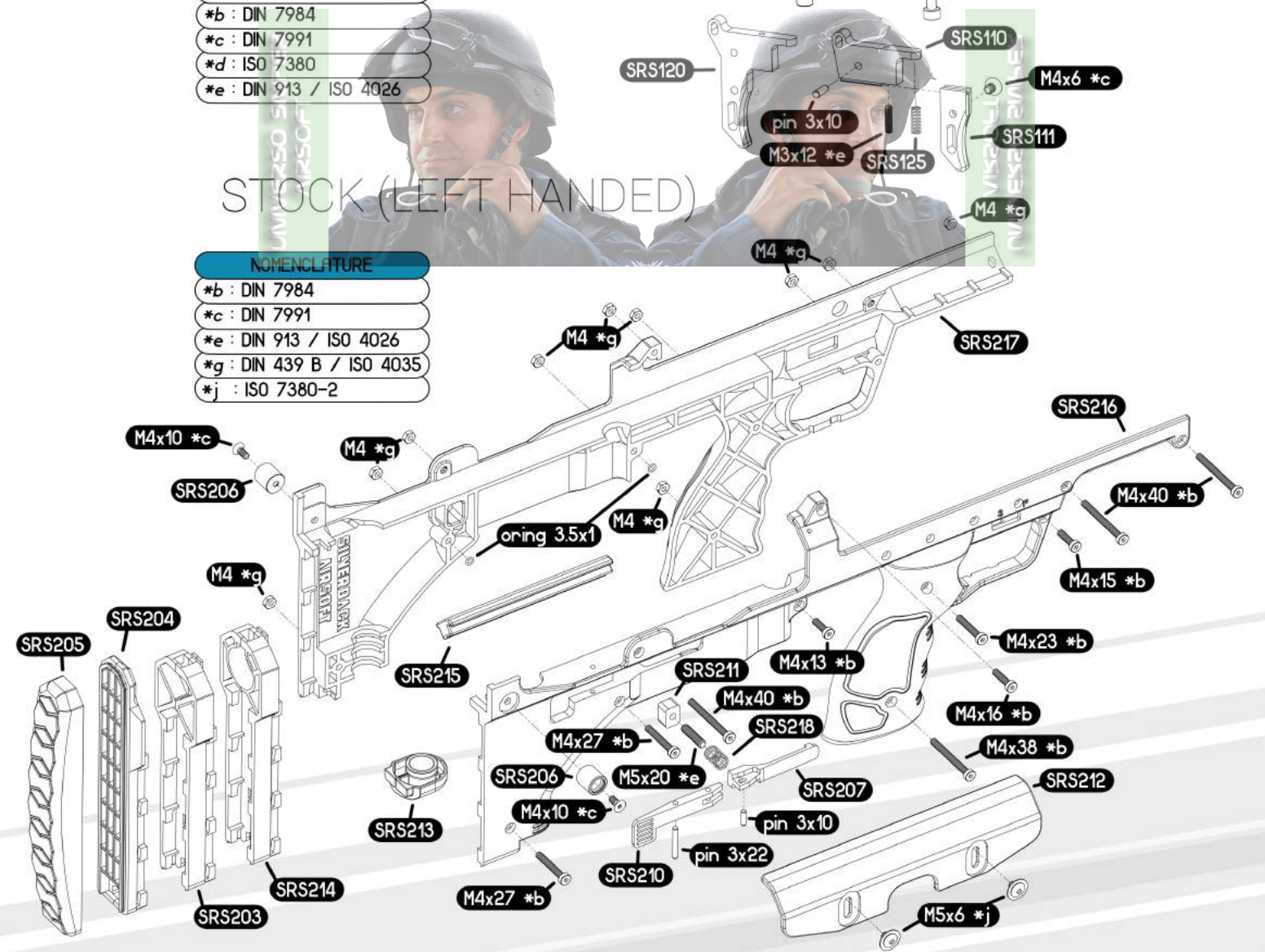
NOMENCLATURE

- *a : DIN 912 / ISO 4762
- *b : DIN 7984
- *c : DIN 7991
- *d : ISO 7380
- *e : DIN 913 / ISO 4026

STOCK (LEFT HANDED)

NOMENCLATURE

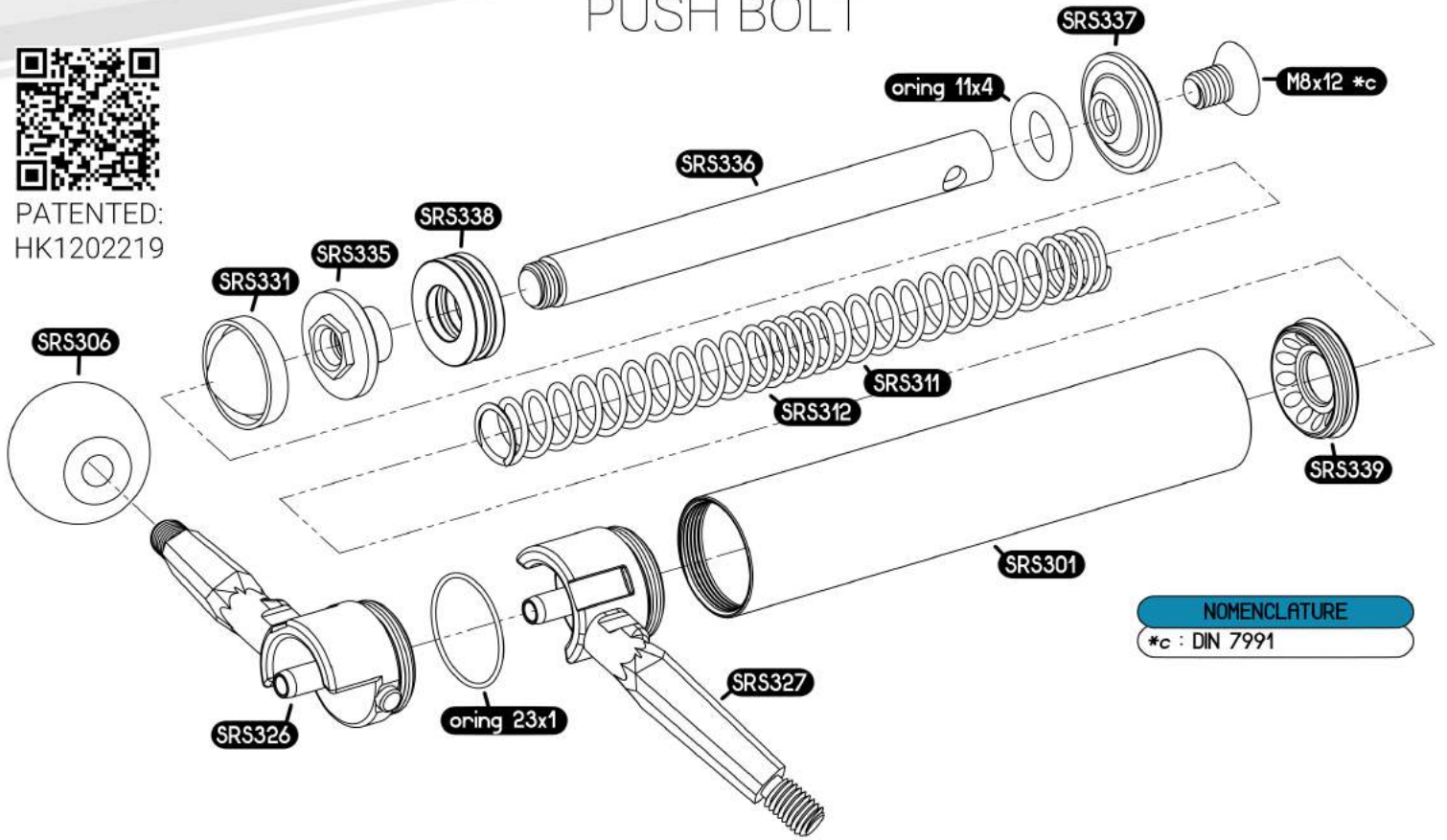
- *b : DIN 7984
- *c : DIN 7991
- *e : DIN 913 / ISO 4026
- *g : DIN 439 B / ISO 4035
- *j : ISO 7380-2



PUSH BOLT



PATENTED:
HK1202219



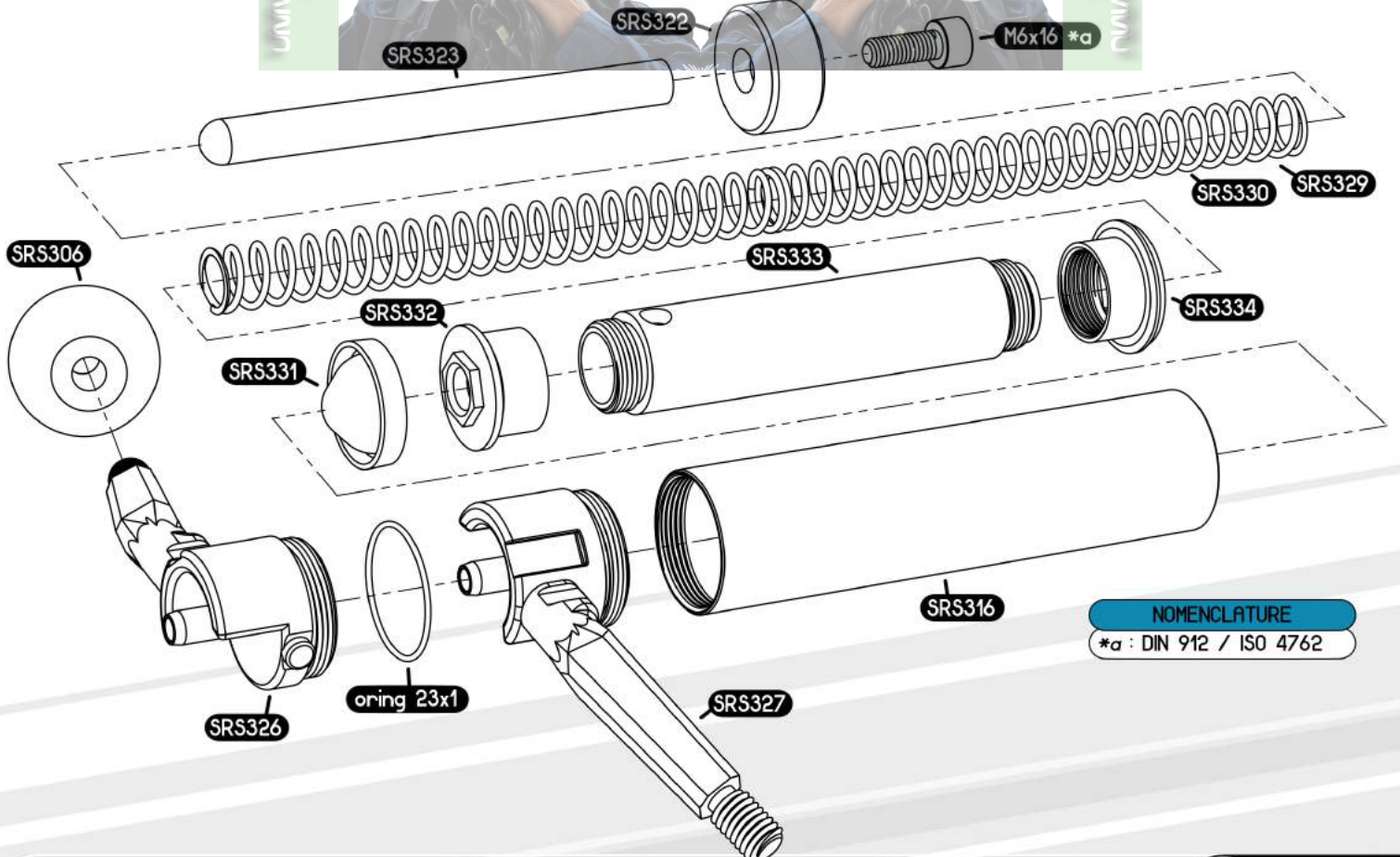
NOMENCLATURE
*c : DIN 7991

UNIVERSO SIMPER AIRSOFT



UNIVERSO SIMPER AIRSOFT

PULL BOLT



NOMENCLATURE
*a : DIN 912 / ISO 4762



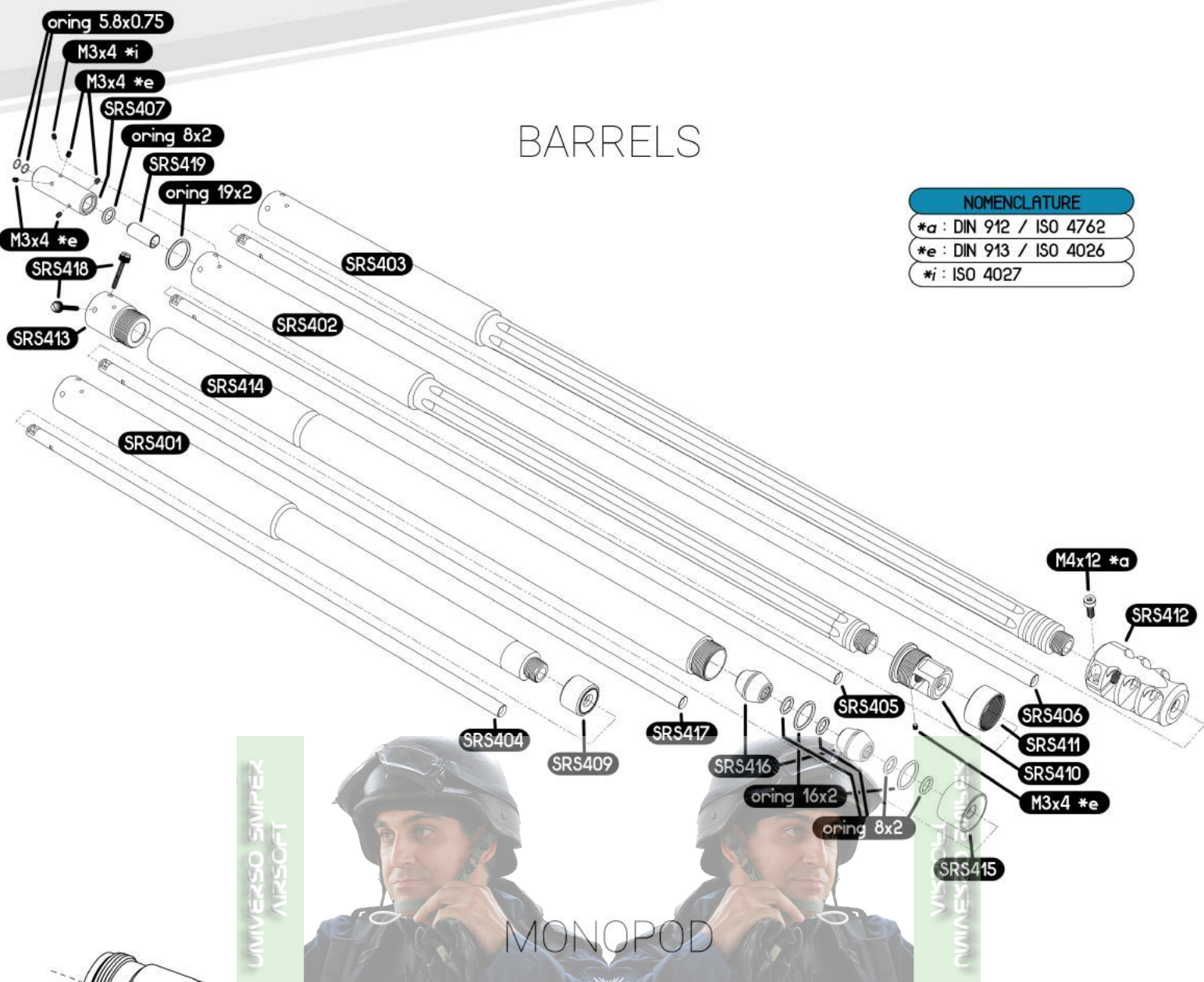
BARRELS

NOMENCLATURE

*a : DIN 912 / ISO 4762

*e : DIN 913 / ISO 4026

*i : ISO 4027

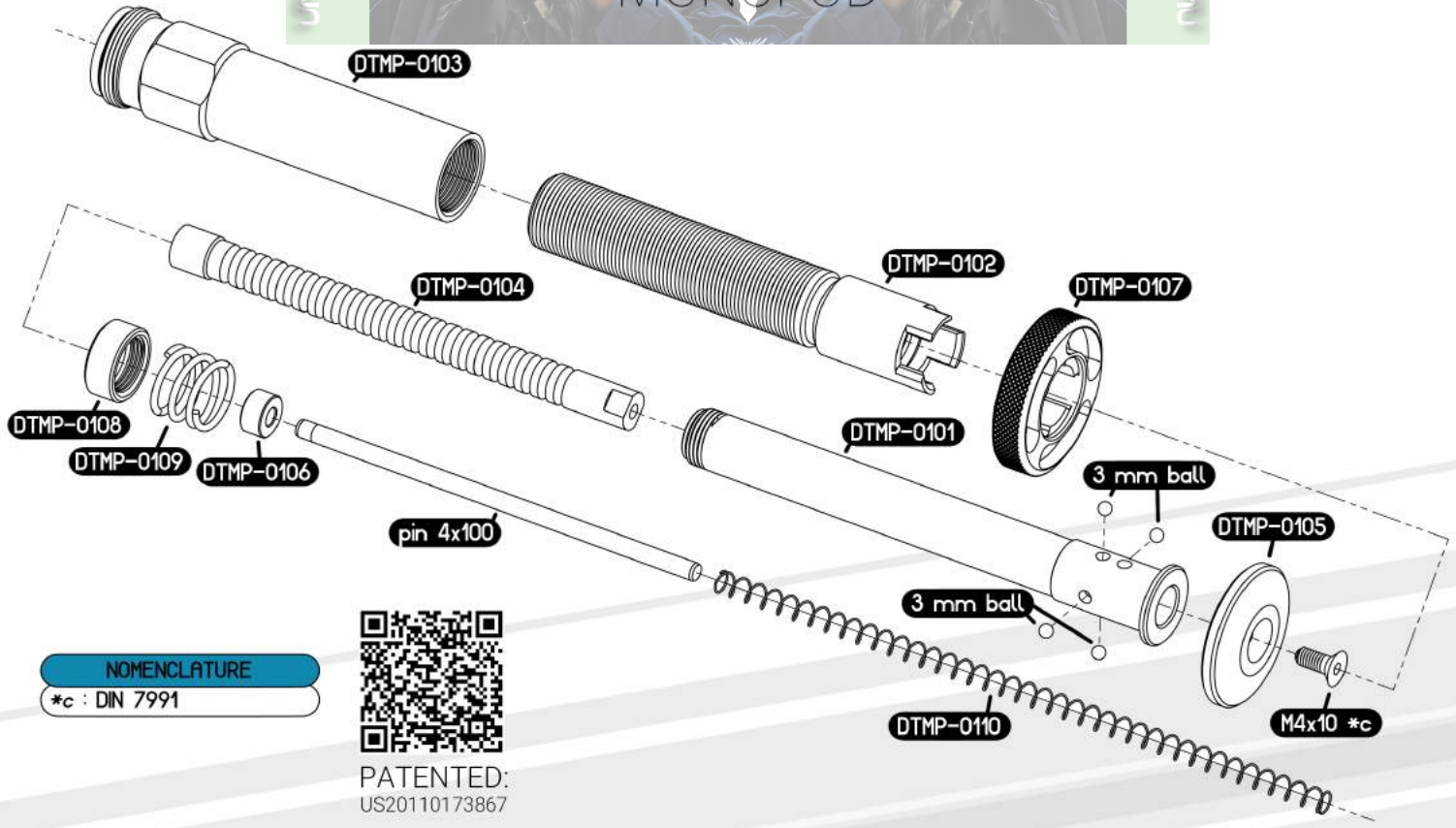


UNIVERSO SIMPER AIRSOFT



UNIVERSO SIMPER AIRSOFT

MONOPOD



NOMENCLATURE

*c : DIN 7991



PATENTED:
US20110173867



SPECIFICATIONS

MATERIALS

	receiver	handguard	outer barrel	trigger group	hopup	monopod	bolt	magcatch	piston sear	safety	magazine	inner barrel	bbs tube	trigger rod	stock	buttplate	cheekpad	dustcover	screws	orings	
aluminium 6000 series	■	■	■	■	■	■	■	■	■	■	■	■	■	■	■	■	■	■	■	■	■
steel CR1018 / SCM415	■	■	■	■	■	■	■	■	■	■	■	■	■	■	■	■	■	■	■	■	■
stainless steel SS304	■	■	■	■	■	■	■	■	■	■	■	■	■	■	■	■	■	■	■	■	■
steel 10.9	■	■	■	■	■	■	■	■	■	■	■	■	■	■	■	■	■	■	■	■	■
brass	■	■	■	■	■	■	■	■	■	■	■	■	■	■	■	■	■	■	■	■	■
Nylon PA6-GF15	■	■	■	■	■	■	■	■	■	■	■	■	■	■	■	■	■	■	■	■	■
Bakelite	■	■	■	■	■	■	■	■	■	■	■	■	■	■	■	■	■	■	■	■	■
NBR 70°/80°	■	■	■	■	■	■	■	■	■	■	■	■	■	■	■	■	■	■	■	■	■
silicon 60°	■	■	■	■	■	■	■	■	■	■	■	■	■	■	■	■	■	■	■	■	■

UNIVERSO SIMPER AIRSOFT



UNIVERSO SIMPER AIRSOFT

SIZE/WEIGHT

Chassis / barrel	bolt	hand	min. weight	min. lenght
SRS-A1 Covert 16"	push	right	2.98 kg	675 mm
SRS-A1 Sport 20"			2.83 kg	764 mm
SRS-A1 22"			3.25 kg	850 mm
SRS-A1 26"			3.34 kg	980 mm
SRS-A1 Covert 16"	pull		3.08 kg	687 mm
SRS-A1 Sport 20"			2.93 kg	776 mm
SRS-A1 22"			3.35 kg	862 mm
SRS-A1 26"			3.44 kg	992 mm
SRS-A1 Covert 16"	push	left	2.94 kg	675 mm
SRS-A1 Sport 20"			2.79 kg	764 mm
SRS-A1 22"			3.21 kg	850 mm
SRS-A1 26"			3.30 kg	980 mm
SRS-A1 Covert 16"	pull		3.04 kg	687 mm
SRS-A1 Sport 20"			2.89 kg	776 mm
SRS-A1 22"			3.31 kg	862 mm
SRS-A1 26"			3.40 kg	992 mm

Magazine weight:	0.20 Kg
------------------	---------

SERIAL NUMBER:

Five empty boxes for serial number entry.

Color:

- black.....
- flat dark earth....
- olive drab.....

Type:

- 16" Covert.....
- 20" Sport.....
- 22".....
- 26".....
- right handed.....

Hand:

- left handed.....

NOTES:



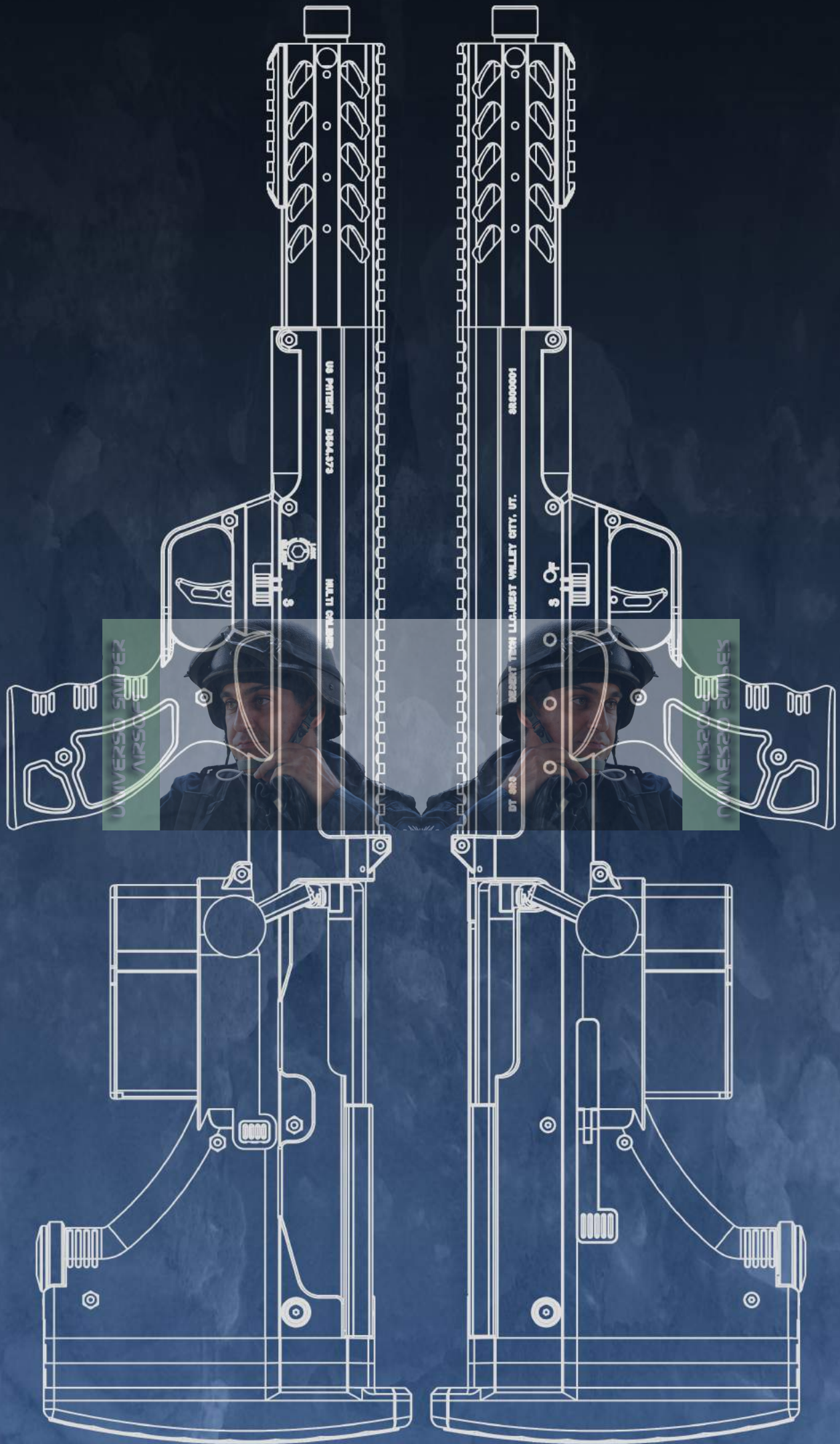
Scan this QR code and download the digital version of this user manual. In case of user manual update, this link will provide you the latest version. If you wish to contact us regarding your SRS-A1 or receive news about this product line, please contact us at **info@silverback-airsoft.com** with your serial number as reference.



It might be necessary to adjust your piston sear if you change your stock spring for a stiffer one, and/or when the piston sear get worn out (typically after 10 000 + shots). Scan this QR code to access the video tutorial.



If you wish to install the flexible follower, scan this QR code to access the video tutorial. This flexible follower will allow you to avoid bbs waste (no remaining bbs in the feeding tube when the magazine is empty), but the magazine capacity will be reduced (4 bbs less).



BEST
9TH
AIRSOFT
PLAYERS' CHOICE
AWARDS
POPULAR AIRSOFT
SNIPER RIFLE



May 2019 - Made in Hong Kong

SILVERBACK AIRSOFT